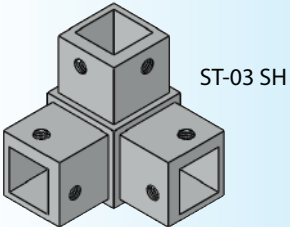
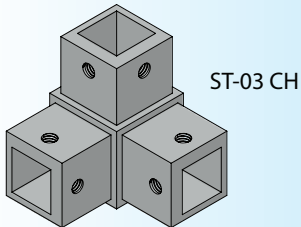


Model: ST 03

### Photo View



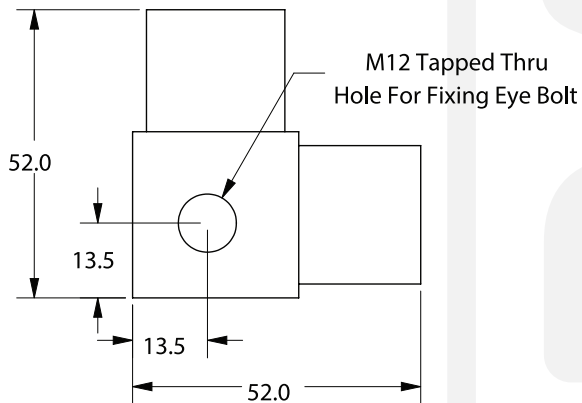
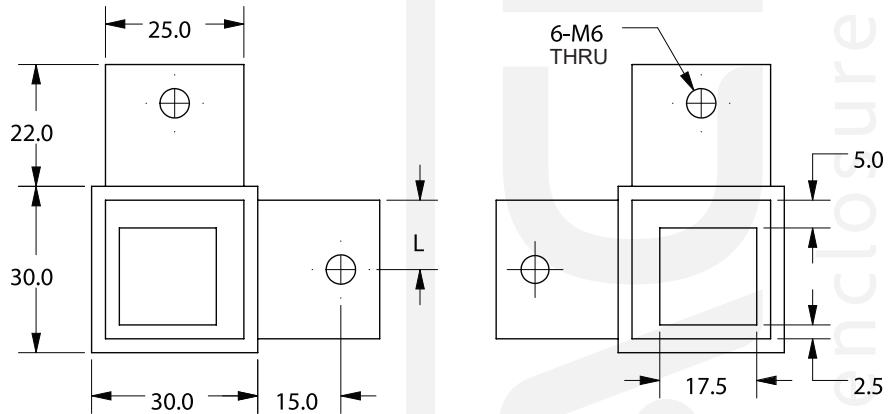
### 3D Rendered View



▶ MATERIAL: ZINC DIE CASTING

▶ FINISH: SAND BLASTING

### CORNER BLOCK



PART NO	DIMENSION (L)
ST-03 CH	12.5
ST-03 SH	15.0