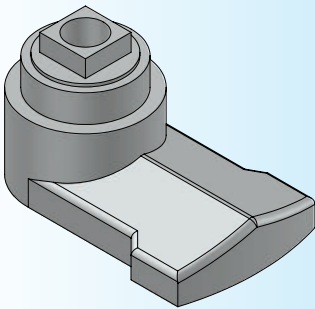


Model: SHF 04 ▶

Photo View



3D Rendered View



- ▶ MATERIAL: ZINC DIE CASTING
- ▶ FINISH: SAND BLASTING

3-POINT LOCK ACCESSORIES (FLAT ROD VERSION)

3-POINT LOCK SMALL CAM

