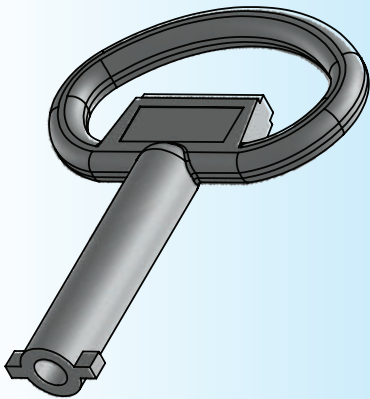


**N-RACK**

embellishing your enclosures...

**Industrial  
Hardware** | embellishing  
your  
enclosures...

Model: PL 18H-1S ▶

**NEW!****Photo View****3D Rendered View**

- ▶ MATERIAL: SS 304 / 316
- ▶ FINISH: MIRROR POLISH OR BRUSHED

**STAINLESS STEEL KEYS**