

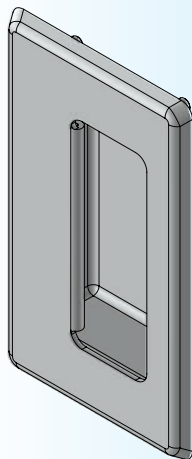
Model: PL 116S

INOX  
AISI  
3..

### Photo View

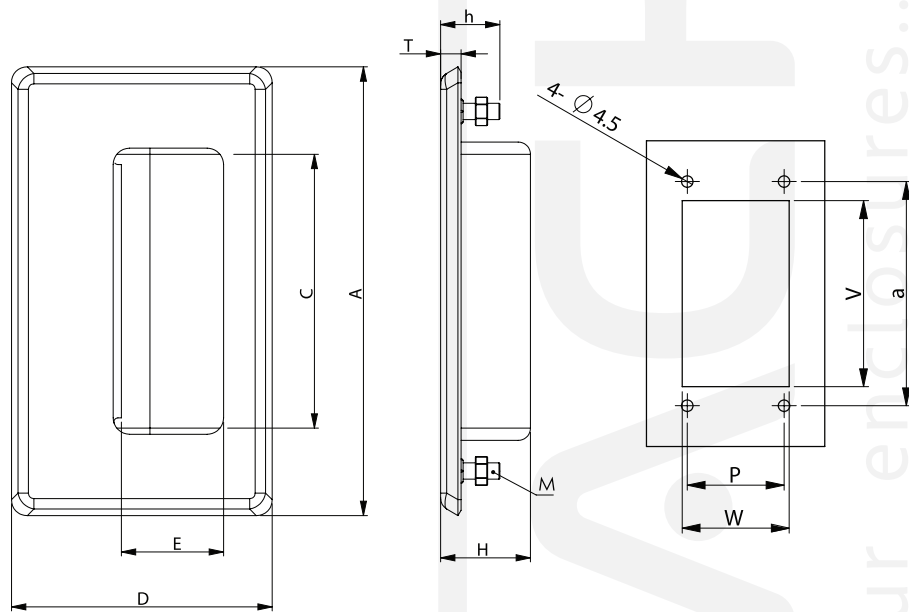


### 3D Rendered View



- ▶ MATERIAL: SS 304
- ▶ FINISH: MIRROR POLISHED OR BRUSHED

### STAINLESS STEEL POCKET HANDLE



MODEL	INSTALLATION METHOD	DIMENSIONS											
PART NO		A	C	D	E	H	h	T	M	a	W	V	P
PL 116S-1	SCREW TYPE	94	61	60	25	17	14	5	M4	76	43	63	32
PL 116S-2		109.5	74	63	19.5	38							
PL 116S-3		138	96	88	29	26				110	64	99	65
PL 116S-1A	NUT TYPE	94	61	60	25	17	14	5	M4	76	43	63	32
PL 116S-2A		109.5	74	63	19.5	38							
PL 116S-3A		138	96	88	29	26				110	64	99	65