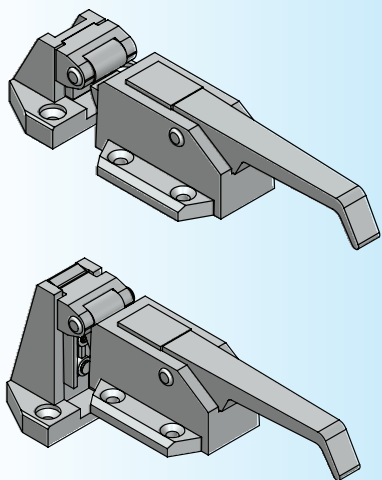


**N-RACK**

embellishing your enclosures...

**Industrial  
Hardware** | embellishing  
your  
enclosures...

Model: PL 021

**Photo View****3D Rendered View**

- ▶ MATERIAL: ZINC DIE CASTING
- ▶ FINISH: BRIGHT CHROME PLATING

