

**N-RACK**

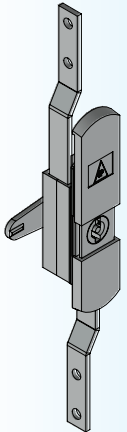
embellishing your enclosures...

**Industrial Hardware** | embellishing your enclosures...**Model: MS 820-1A**

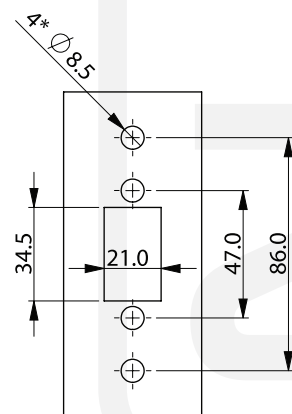
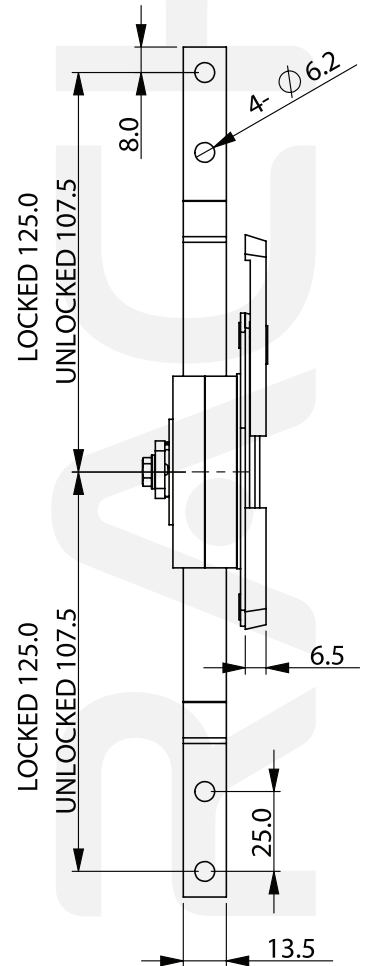
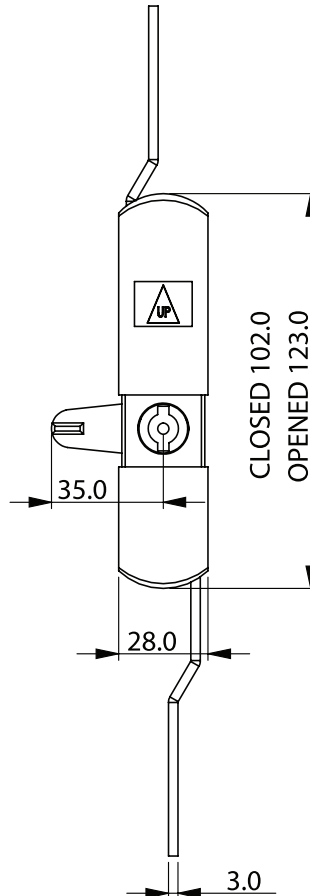
RL



NEW!

**Photo View****3D Rendered View**

- ▶ MATERIAL: PA BODY, ZINC DIE CASTING  
ROD CONTROL BOX, ZINC PLATING  
FIXING PARTS



CUT-OUT

embellishing your enclosures...