

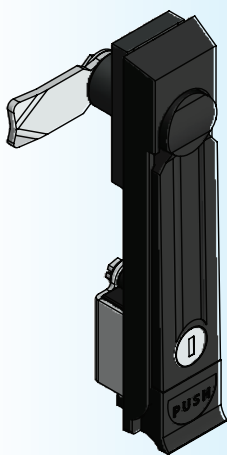
Model: MS 743-1-IE



Photo View

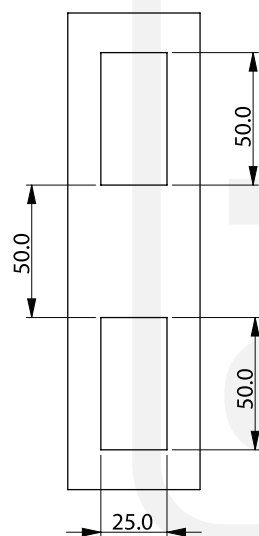
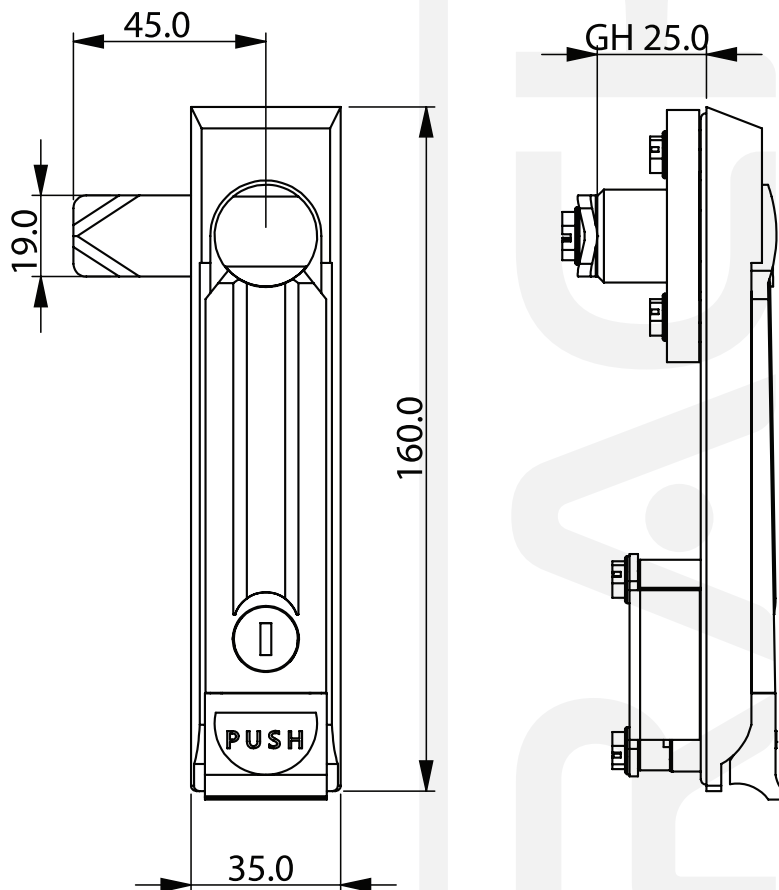


3D Rendered View



- ▶ MATERIAL: ZINC DIE CASTING BODY, ZINC PLATING CAM, FIXING PARTS
- ▶ FINISH: BLACK POWDER COATED
- ▶ PANEL THICKNESS: 1-3MM
- ▶ REMARK: CAM CUTOUT 8X8

DIFFERENT KEY COMBINATION LOCK AVAILABLE ON REQUEST



CUT-OUT