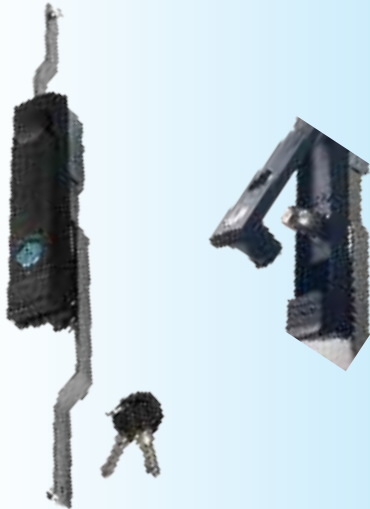


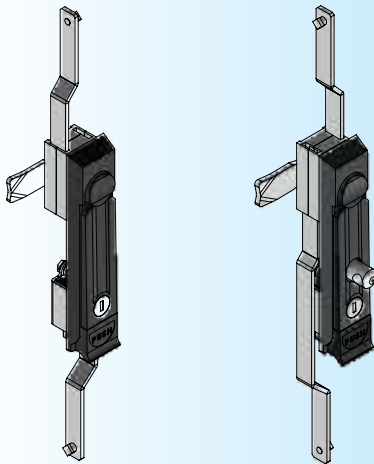
Model: MS 741-1-IRE



Photo View



3D Rendered View



MS 741-1-1RE

MS 741-1-1G

- ▶ MATERIAL: ZINC DIE CASTING BODY & SHAFT, ZINC PLATING CAM & BRACKET, SAND BRIGHT CHROME PLATING RACK
- ▶ FINISH: BLACK POWDER COATED / WHITE POWDER COATED
- ▶ PANEL THICKNESS: 1-4MM
- ▶ REMARK: CAM CUTOUT 8X8

DIFFERENT KEY COMBINATION LOCK AVAILABLE ON REQUEST
PADLOCKABLE LOCK AVAILABLE ON REQUEST

