

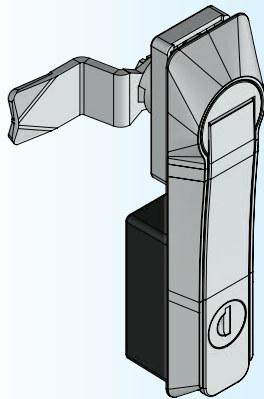
Model: MS 463-1-1A ▶



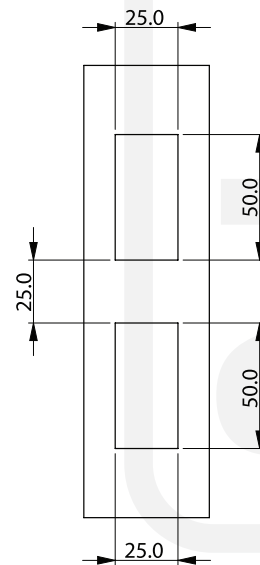
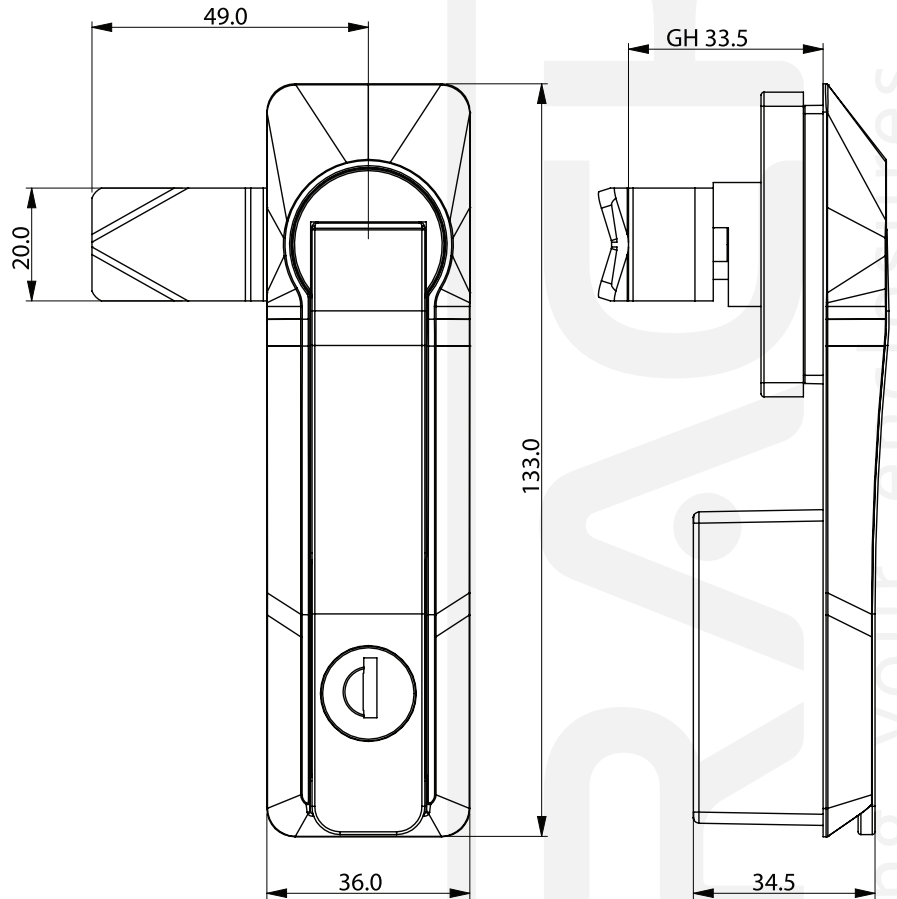
Photo View



3D Rendered View



- ▶ MATERIAL: ZINC DIE CASTING BODY, ZINC PLATING CAM, MOUNTING PLATE, SAND BRIGHT CHROME PLATING RACK
- ▶ FINISH: GRAY CHROME PLATING
- ▶ PANEL THICKNESS: 1-2.5MM
- ▶ REMARK: CAM CUTOUT 8X8 PADLOCKABLE ON REQUEST



CUT-OUT