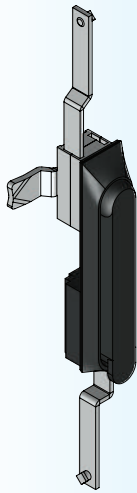


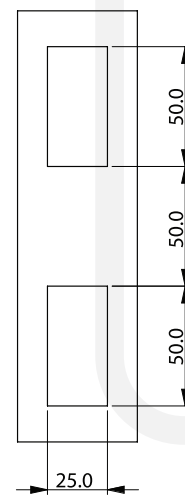
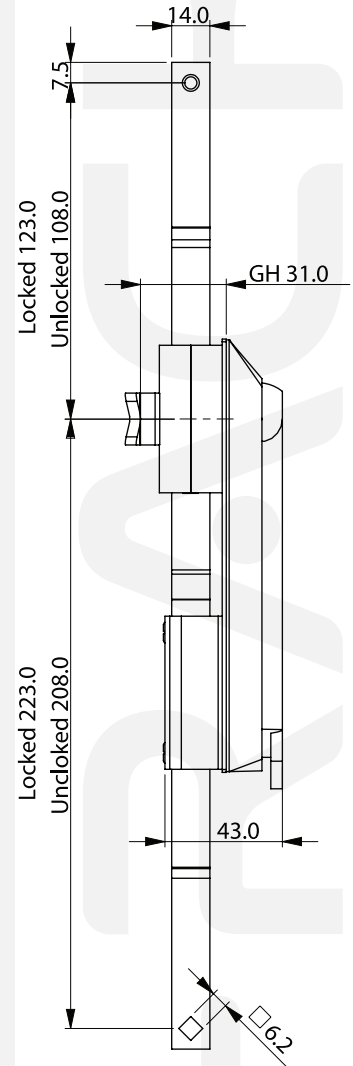
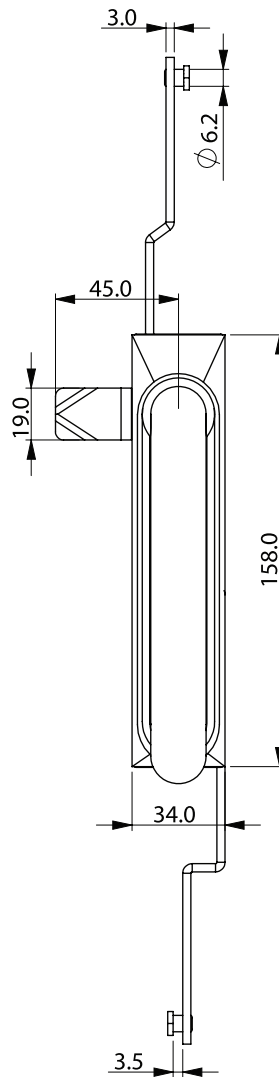
**N-RACK**

embellishing your enclosures...

**Industrial Hardware** | embellishing your enclosures...**Model: MS 100-3NL****IP65****RL****Photo View****3D Rendered View**

▶ MATERIAL: PA6 BODY, BRASS SHAFT, ZINC DIE CASTING ROD CONTROLLER BOX, ZINC PLATING FIXING PARTS

▶ FINISH: MATT BLACK



CUT-OUT