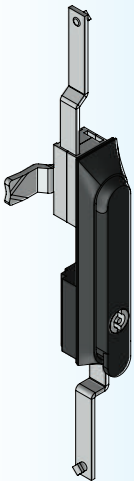


N-RACK

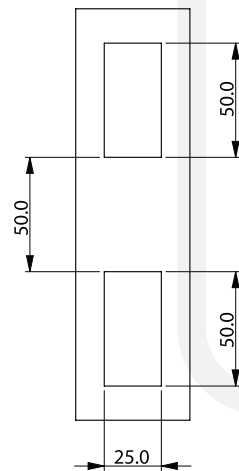
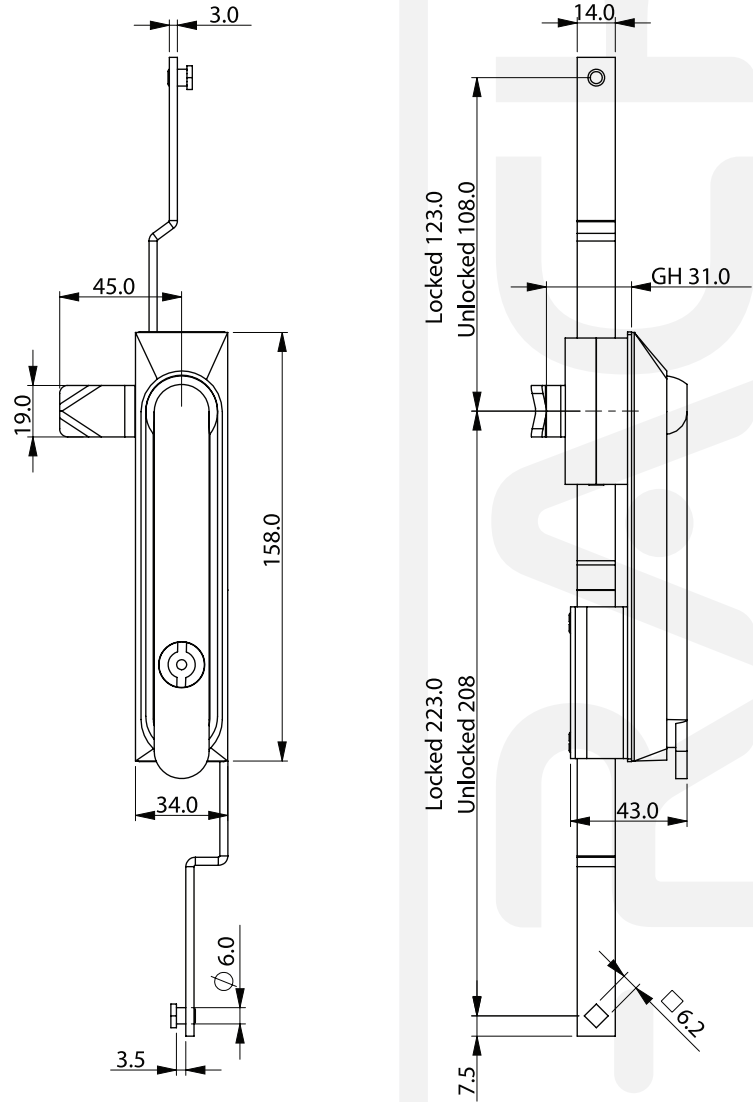
embellishing your enclosures...

Industrial Hardware | embellishing your enclosures...**Model: MS 100-3DB**

RL

**Photo View****3D Rendered View**

- ▶ MATERIAL: PA6 BODY, BRASS SHAFT, ZINC DIE CASTING ROD CONTROLLER BOX, ZINC PLATING FIXING PARTS
- ▶ FINISH: MATT BLACK



CUT-OUT

embellishing your enclosures...