

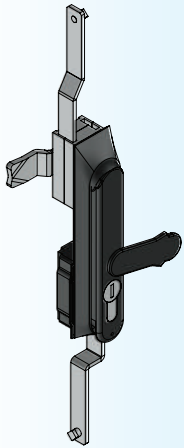
N-RACK

embellishing your enclosures...

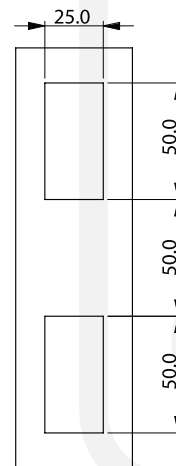
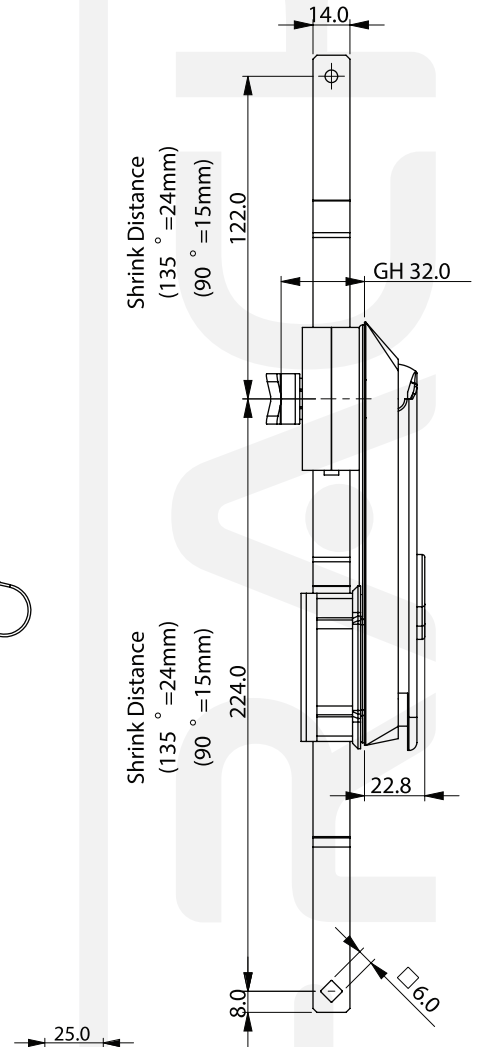
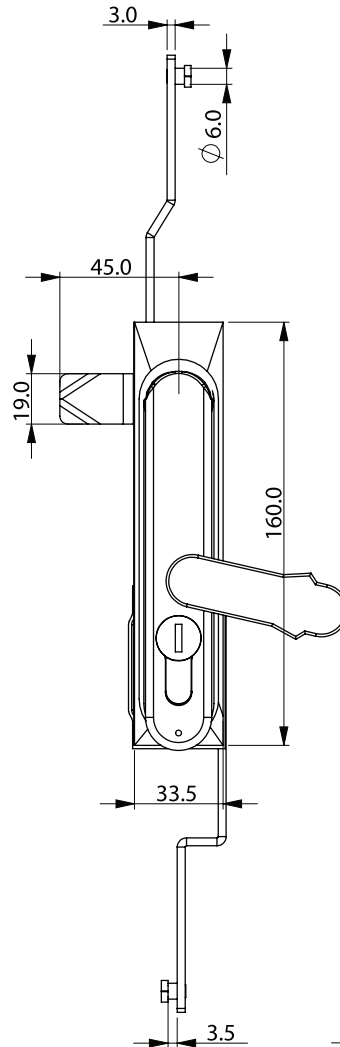
Industrial Hardware | embellishing your enclosures...**Model: MS 100-3-2B**

RL

IP54

**Photo View****3D Rendered View**

- ▶ MATERIAL: PA-6 GF 30%, ZINC BLUE PLATING DRIVING RODS & FIXING PARTS, SAND BRIGHT CHROME PLATING RACK
- ▶ FINISH: MATT BLACK
- ▶ PANEL THICKNESS: 1-3MM
- ▶ REMARK: CAM CUTOUT 8X8



CUT-OUT

embellishing your enclosures...