

N-RACK

embellishing your enclosures...

Industrial Hardware

embellishing your enclosures...

Model: HN 44-1



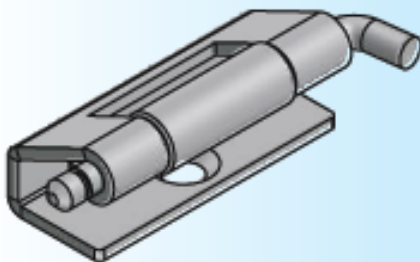
RL

NEW!

Photo View

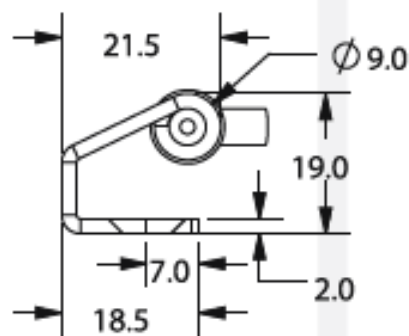
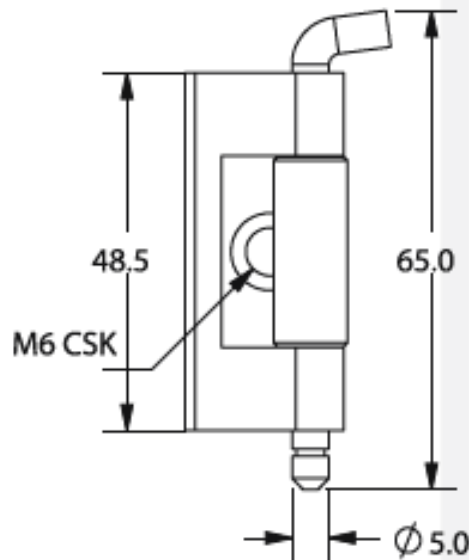


3D Rendered View

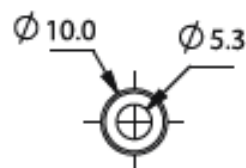


- ▶ MATERIAL: MILD STEEL
- ▶ FINISH: ZINC WITH TRIVALENT BLUE PLATING

AVAILABLE IN STAINLESS STEEL ON REQUEST



CENTRE BUSH



SCREW & NUT

