

8 7 6 5 4 3 2 1

F

F

E

E

D

D

C

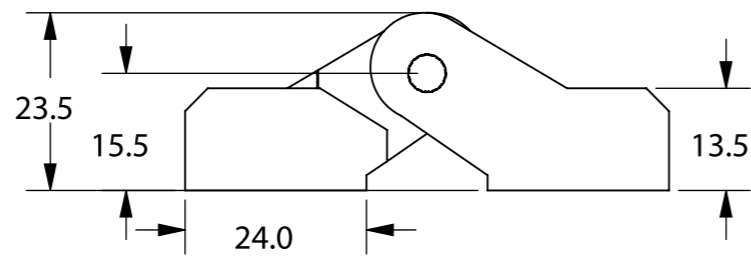
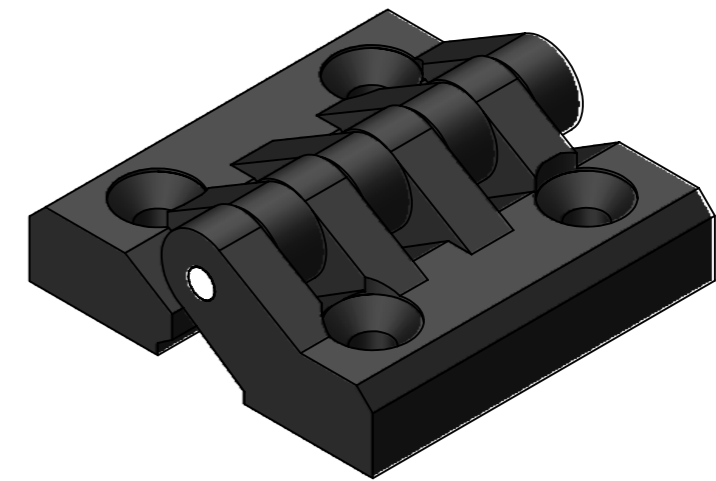
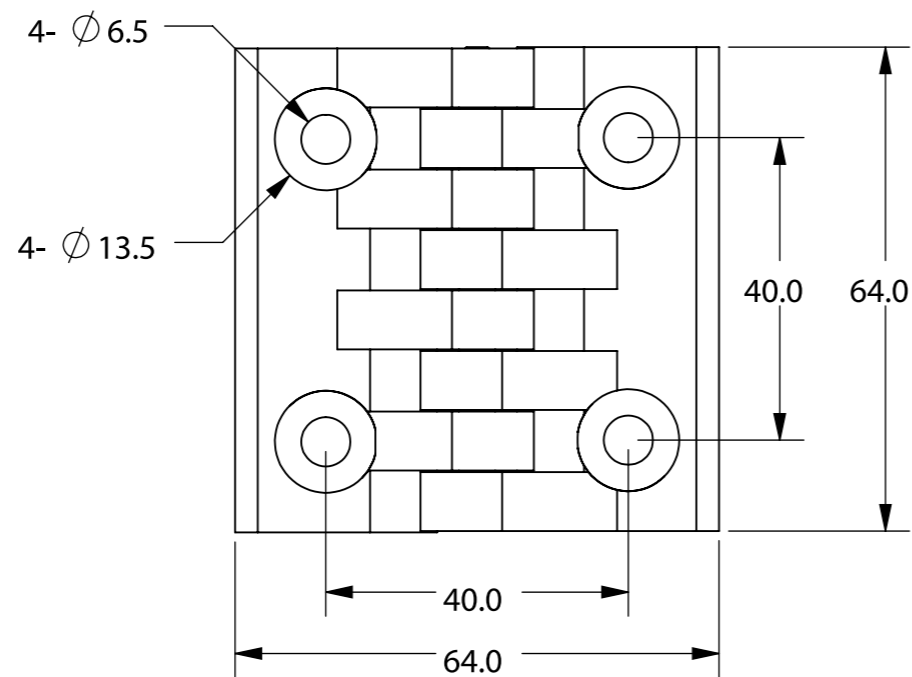
C

B

B

A

A



NOTES: ALL DIMENSIONS ARE IN MM
+/-0.5MM TOLERANCE FOR ALL DIMENSIONS

REMARKS		FINISH:		DEBURR AND BREAK SHARP EDGES		DO NOT SCALE DRAWING		REVISION	
180° HINGE		MATT BLACK				N-RACK ACCESSORIES PVT LTD...			
	NAME	SIGNATURE	DATE			TITLE:			
DRAWN	RAKESH		21/04/2023			HINGES			
CHK'D	SHASHIDHAR		21/04/2023						
APPVD	SHASHIDHAR		21/04/2023						
				MATERIAL:		DWG NO.		A3	
				PA HINGE,ZINC PLATING STEEL PIN		HL 166			
				WEIGHT: 70g		SCALE:1:1		SHEET 1 OF 1	

8 7 6 5 4 3 2 1