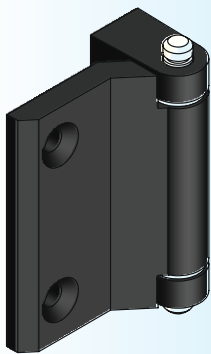


**N-RACK**

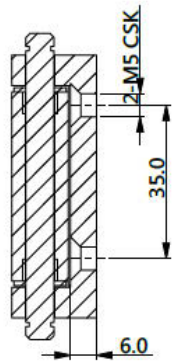
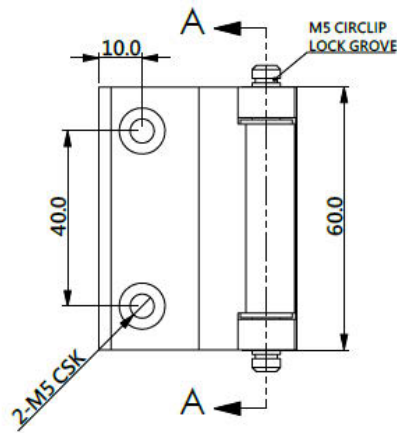
embellishing your enclosures...

**Industrial  
Hardware** | embellishing  
your  
enclosures...

Model: HL 111-1

**Photo View****3D Rendered View**

- ▶ MATERIAL: ZINC DIE CASTING HINGE, STAINLESS STEEL PIN / NICKEL PLATING PIN
- ▶ FINISH: BLACK POWDER COATED / BRIGHTCHROME PLATING
- ▶ REMARKS: 180° HINGE



SECTION A-A

