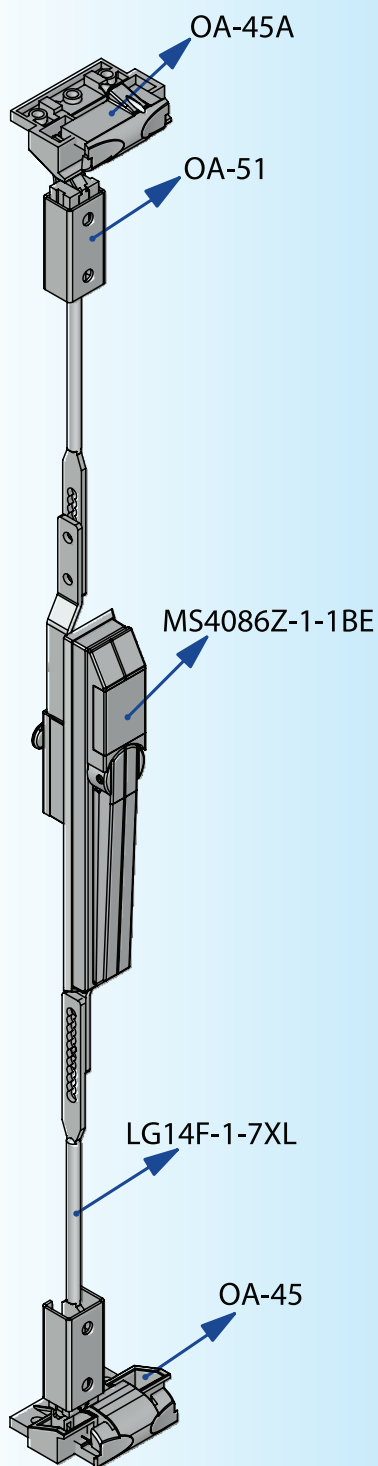


Model: MS 4086Z-1-1BE

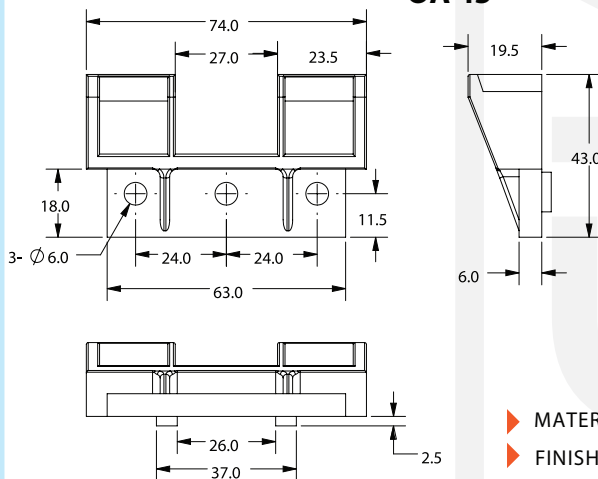
3D Rendered View



Double Door Accessories

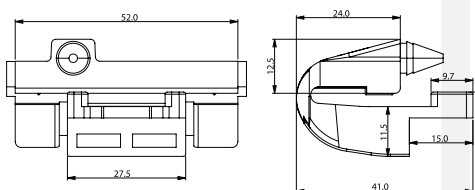
DOUBLE DOOR ACCESSORIES

OA 45



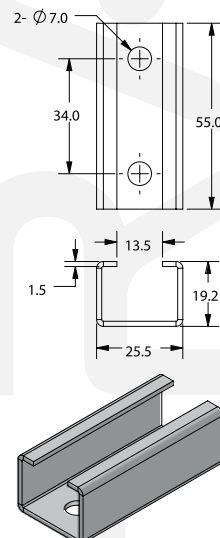
- ▶ MATERIAL: ZINC DIE CAST
- ▶ FINISH: SAND BALSTING

OA 45A



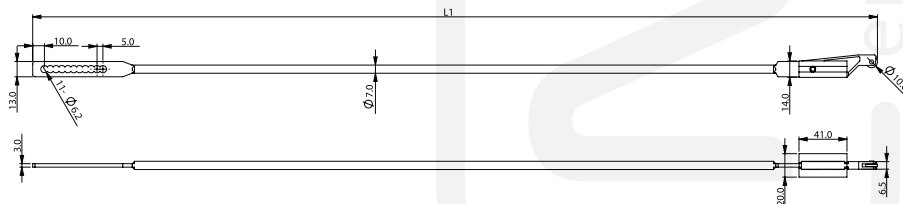
- ▶ MATERIAL: BLACK RUBBER

OA 51



- ▶ MATERIAL: MILD STEEL
- ▶ FINISH: ZINC WITH TRIVALENT BLUE PLATING

LG14F-1-7XL



- ▶ MATERIAL: MILD STEEL
- ▶ FINISH: ZINC WITH TRIVALENT BLUE PLATING

PART NUMBER	L1
LG14F-1-7XL720	720
LG14F-1-7XL820	820