

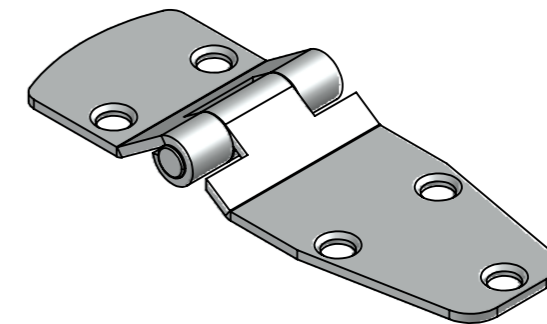
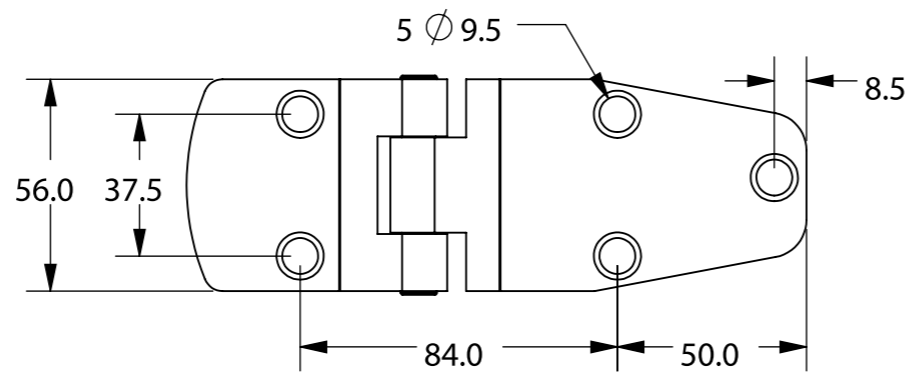
8 7 6 5 4 3 2 1

F

F

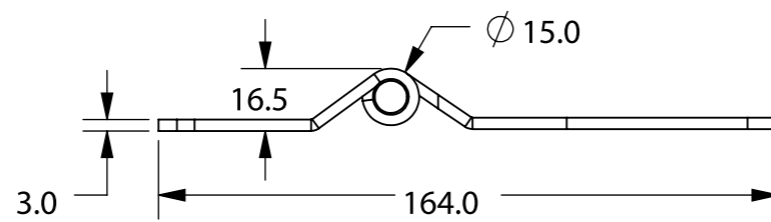
E

E



D

D



C

C

B

B

NOTES: ALL DIMENSIONS ARE IN MM  
+/-0.5MM TOLERANCE FOR ALL DIMENSIONS

PRODUCT		FINISH:		DEBURR AND BREAK SHARP EDGES		DO NOT SCALE DRAWING		REVISION	
180° HINGE		CHROME PLATING / BLACK POWDER COATED				N-RACK ACCESSORIES PVT LTD...			
	NAME	SIGNATURE	DATE			TITLE:			
DRAWN	RAKESH		22/09/2023			HINGES			
CHK'D	SHASHIDHAR		22/09/2023						
APP'VD	SHASHIDHAR		22/09/2023						
				MATERIAL:		DWG NO.		A3	
				304 STAINLESS STEEL / MILD STEEL		CPH-03			
				WEIGHT: 245g		SCALE: 1:2		SHEET 1 OF 1	

A

A

8 7 6 5 4 3 2 1