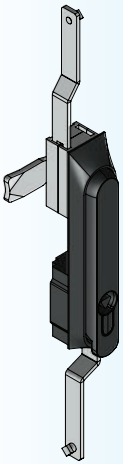


N-RACK

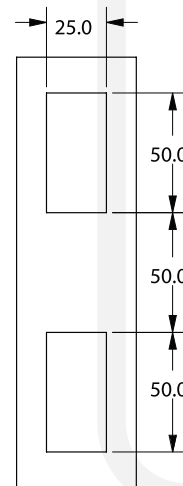
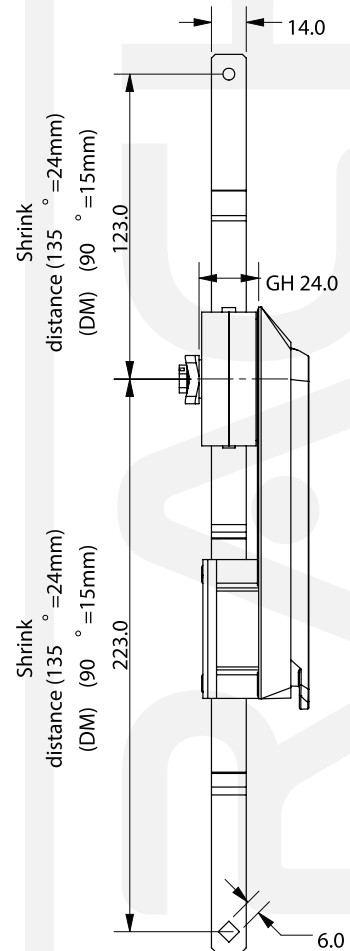
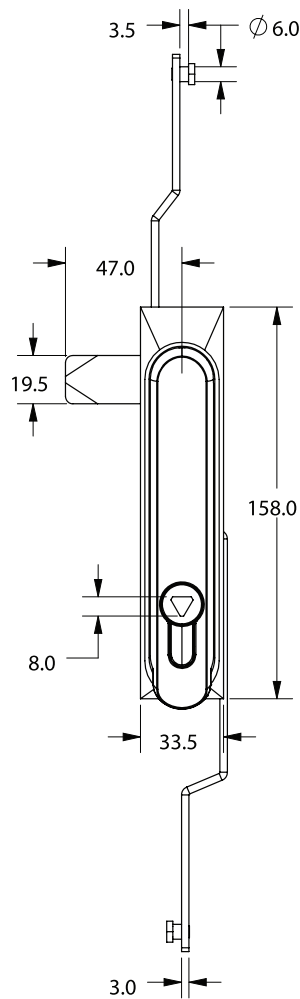
embellishing your enclosures...

Industrial Hardware | embellishing your enclosures...**Model: ABB 100-3**

RL

**Photo View****3D Rendered View**

- ▶ MATERIAL: PA BODY, ZINC DIE CAST SHAFT, ZINC PLATING FIXING PARTS, SAND BRIGHT CHROME PLATING RACK
- ▶ FINISH: MATT BLACK



CUT-OUT

embellishing your enclosures...