

Model: AB 301-1-1

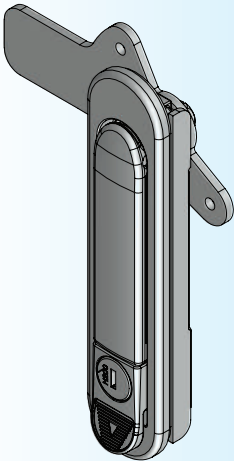
RL



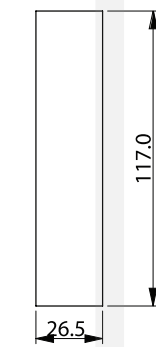
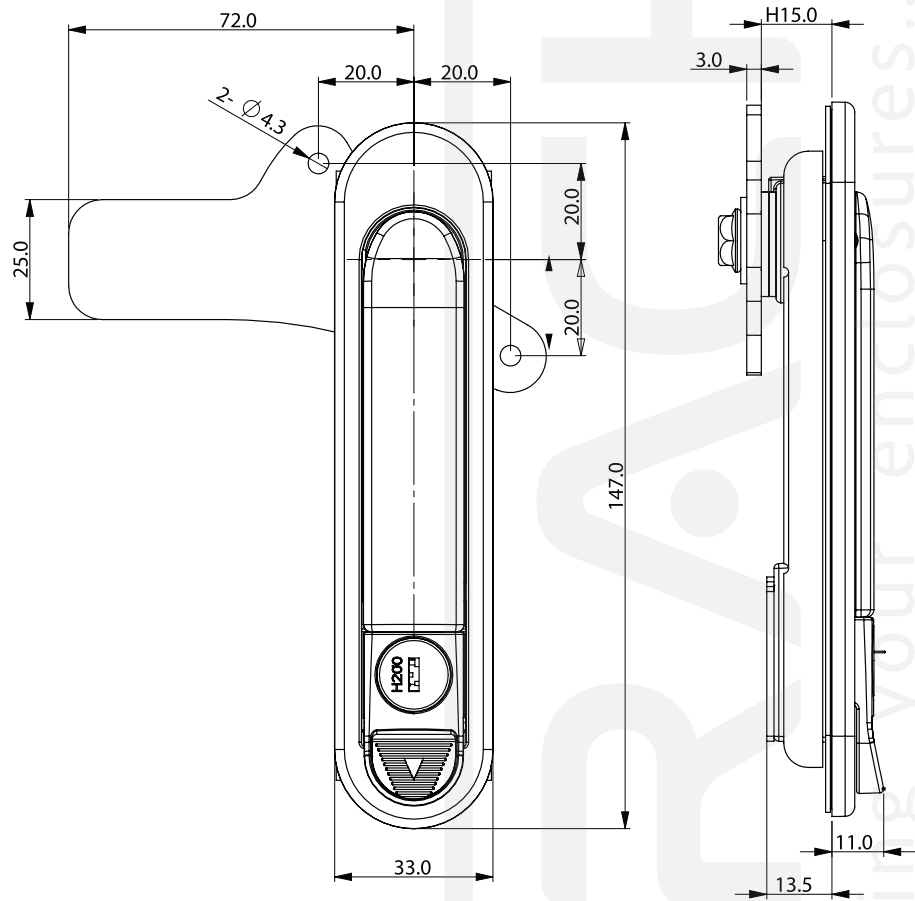
Photo View



3D Rendered View



- ▶ MATERIAL: ZINC DIE CASTING BODY & SHAFT, ZINC PLATING FIXING PARTS
- ▶ FINISH: GRAY CHROME PLATING
- ▶ PANEL THICKNESS: 1-3MM



CUT-OUT