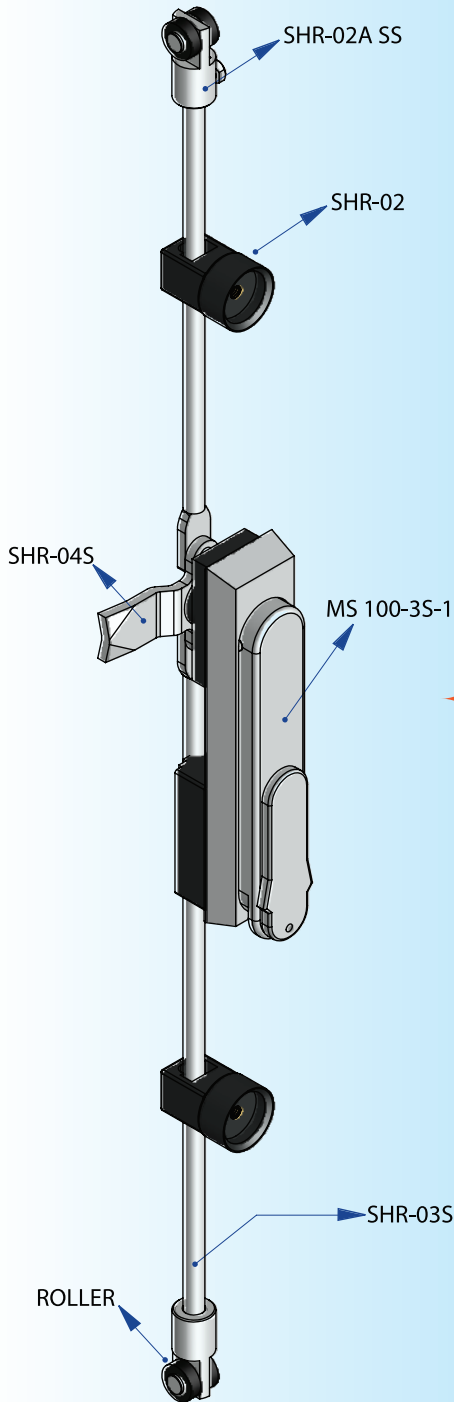


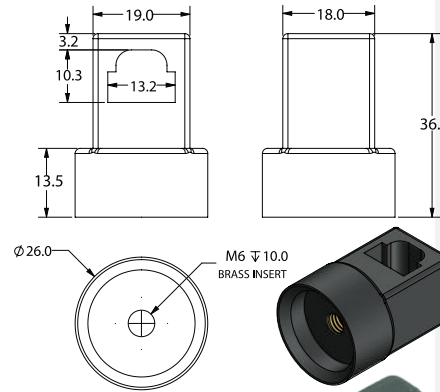
Model: MS 100-3S-1



▶ MATERIAL: SS 304 / 316

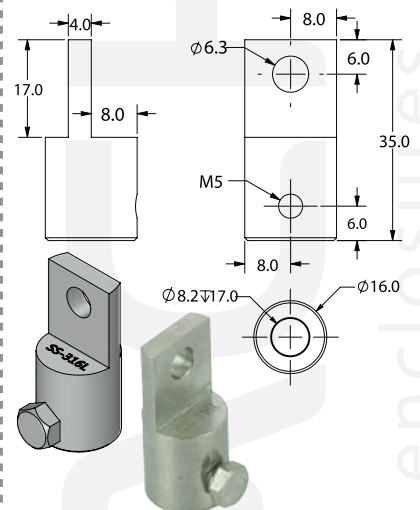
3 POINT LOCK SS ROUND ROD VERSION ASSEMBLY

SHR 02 2 Nos Per Set (AVAILABLE IN STAINLESS STEEL ON REQUEST)



▶ MATERIAL: PA 6 GF 30% WITH BRASS THREAD INSERT
▶ FINISH: BLACK

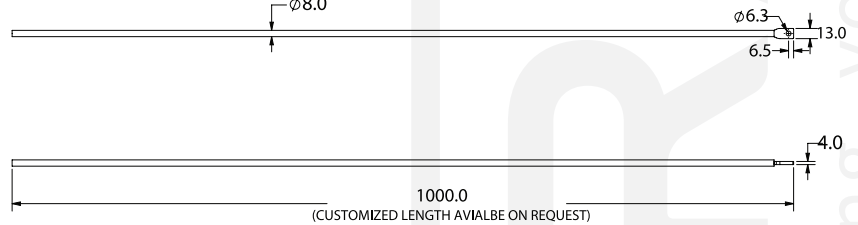
SHR 02 A SS 2 Nos Per Set



▶ MATERIAL: SS 316L / 304
▶ FINISH: VIBRO POLISHING

SHR 03

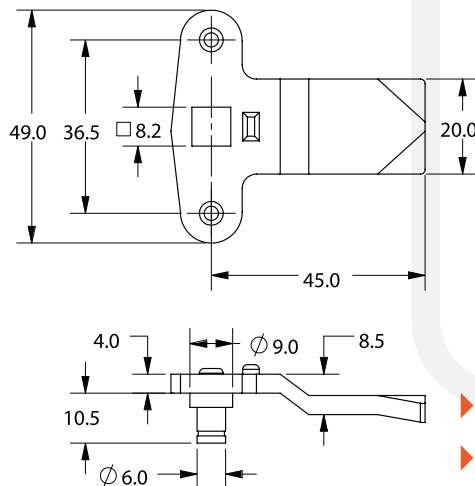
2 Nos Per Set



▶ MATERIAL: MILD STEEL / SS 304 / SS 316
▶ FINISH: BUFFING POLISHING WITH TRIVALENT BLUE PLATING / BUFFING POLISHING

SHR 04 SS

1 No Per Set



▶ MATERIAL: MILD STEEL / SS 304 / SS 316
▶ FINISH: ZINC WITH TRIVALENT BLUE PLATING / VIBRO POLISHING