

INOX
AISI
3..

Photo View



3D Rendered View

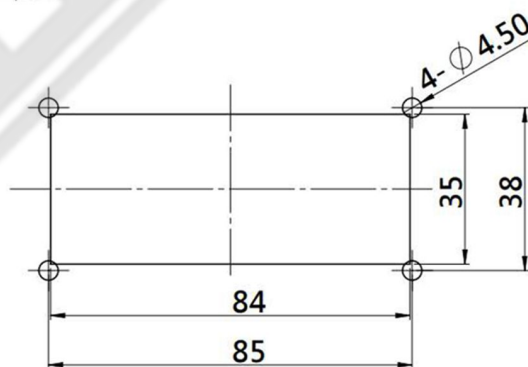
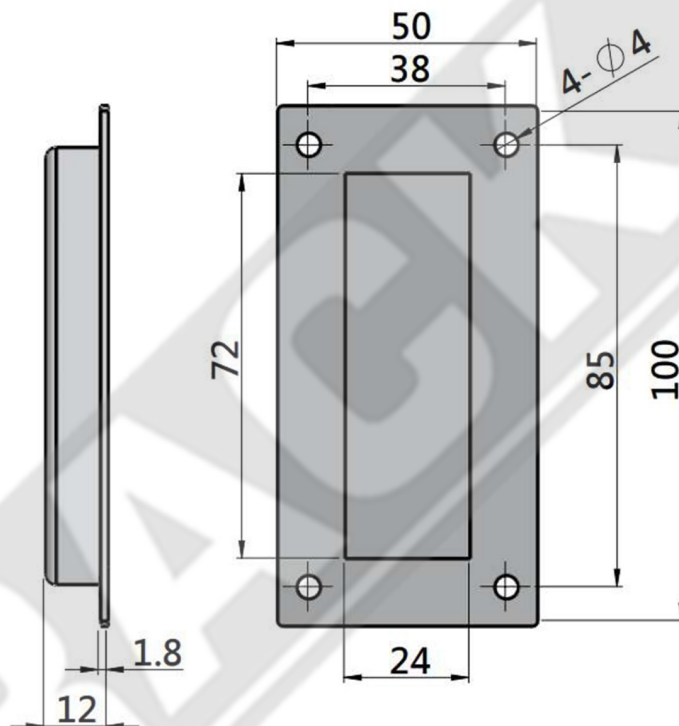


OA - 40H

- Material: Stainless Steel

For Product Step File or 3D Model Send a Request Mail To info@nrack.com

Stainless Steel 304 / 316



CUT OUT