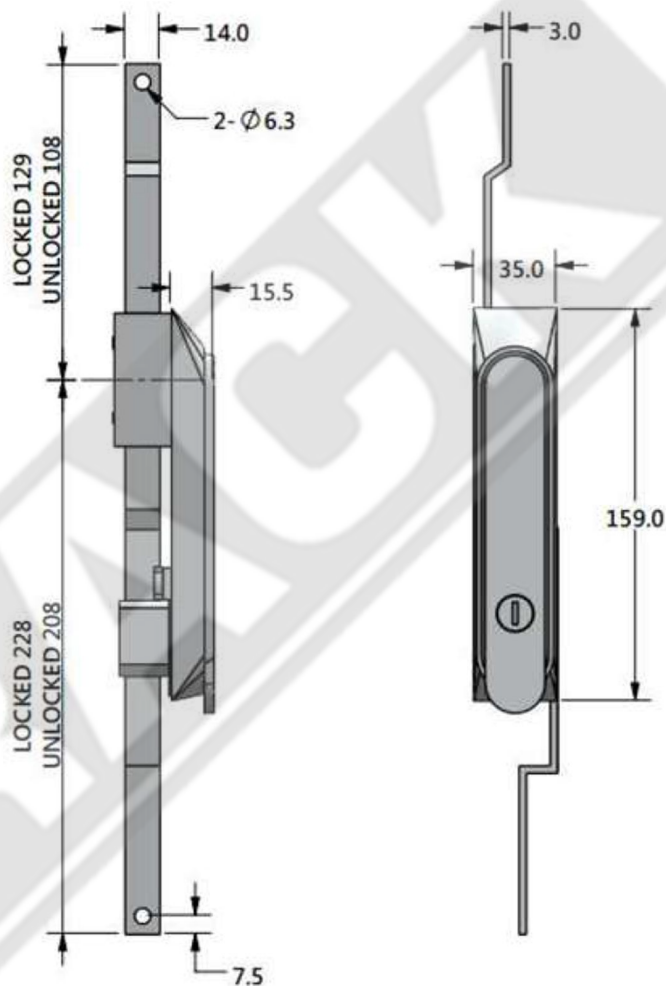
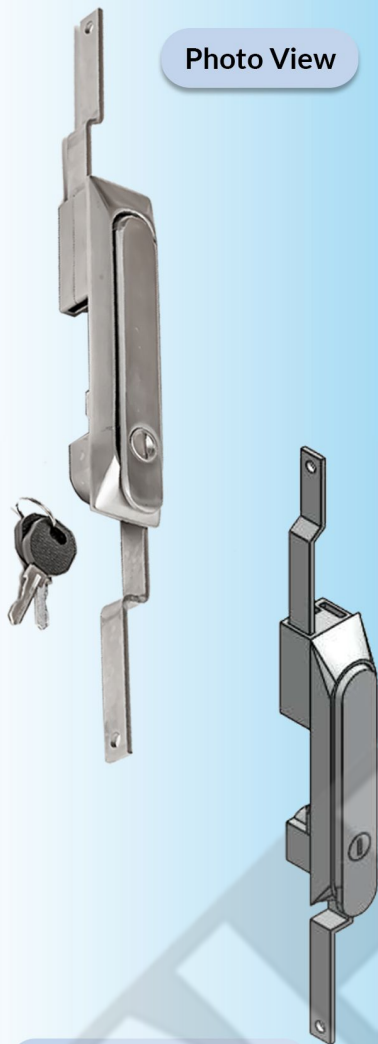




For Product Step File or 3D Model Send a Request Mail To info@nrack.com

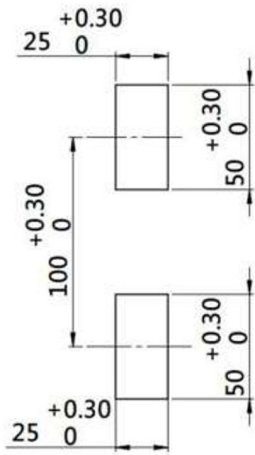
**Lock Available in SS316 Grade**

Photo View



3D Rendered View

**NY 1113S**



PANEL CUTOUT

- Material:Stainless steel body, nickel plating driving rod sand bright chrome plating rack
- Finish: drawing,
- Panel thickness:1~3mm