

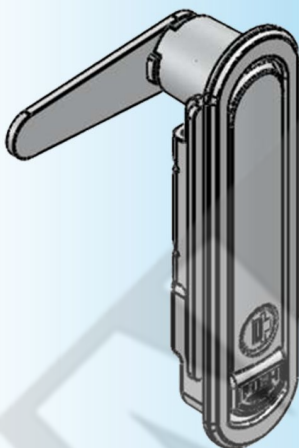
For Product Step File or 3D Model Send a Request Mail To info@nrack.com

Stainless Steel 304 / 316

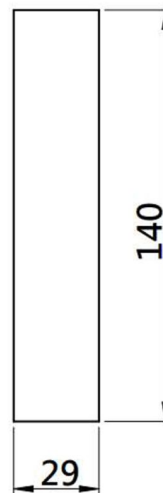
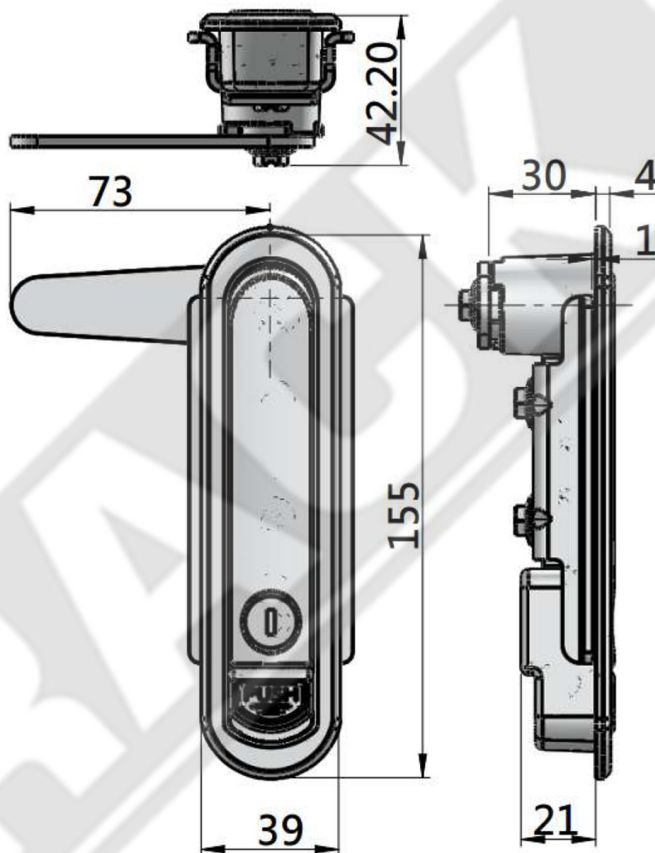
Photo View



3D Rendered View



MS 6023S



CUT OUT

- Material: Stainless steel
- Finish: Mirro polishing/Brushed
- Panel thickness: 1~5mm
- Remark: Cam Cutout $\square 8 \times 8$