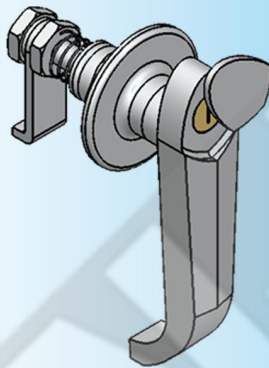




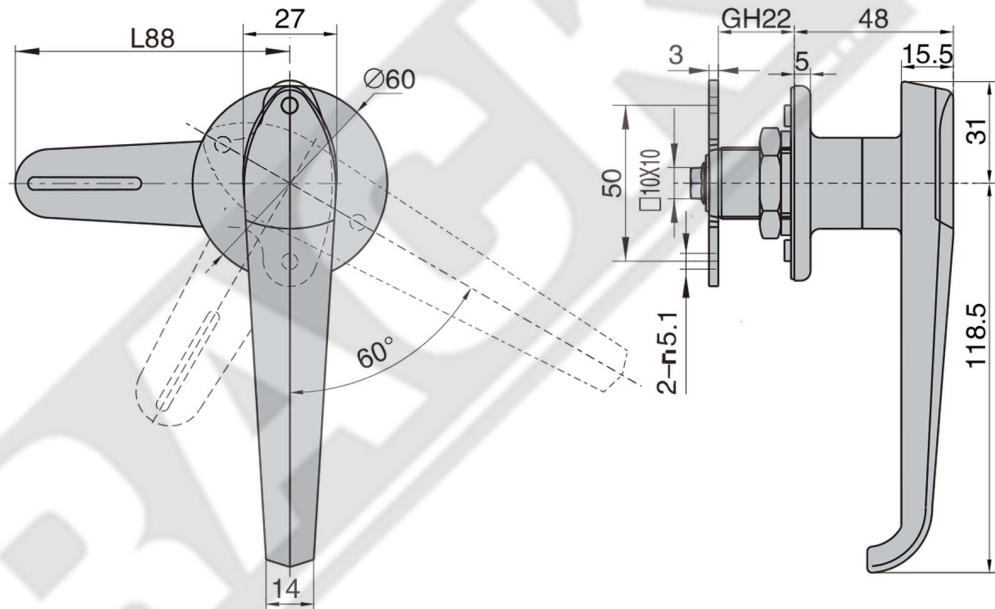
Photo View



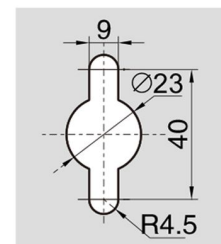
3D Rendered View



For Product Step File or 3D Model Send a Request Mail To info@nrack.com



■ Cut out



MS 306S-1-1

- Material: Stainless steel
- Finish: Mirror polished or brushed
- Panel thickness: 1~5mm
- Remark: Cam Cutout $\square 10 \times 10$