

For Product Step File or 3D Model Send a Request Mail To info@nrack.com

Key Locks



Panel Locks

Photo View

Plane Locks

3Point Locks (Round & Flat)

Handle & Knobs

Hinges

Airvents

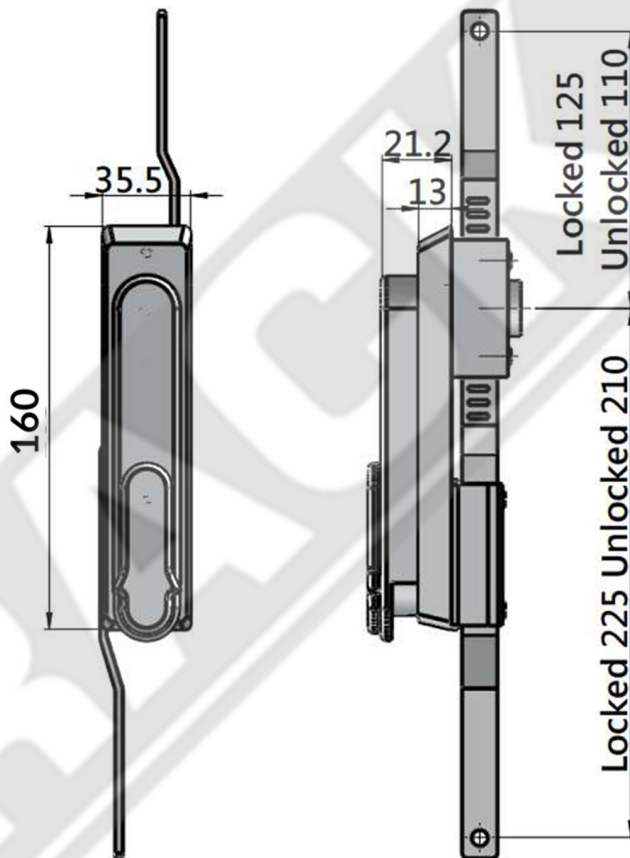
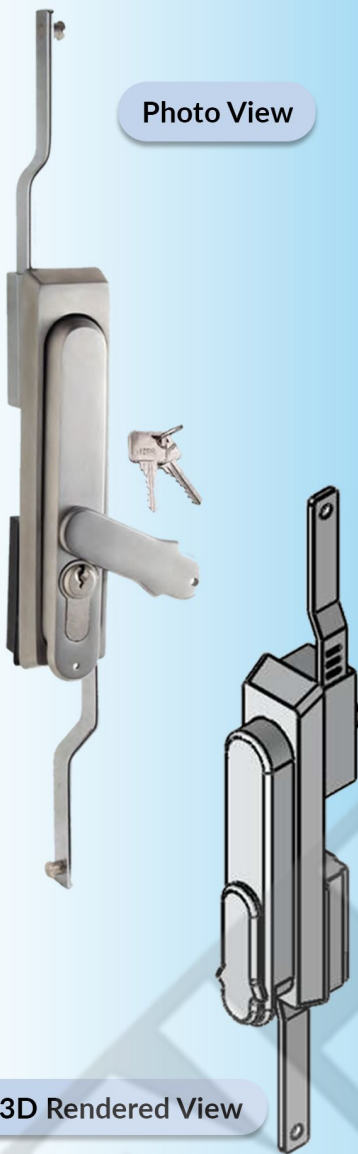
Gasketing

Canopy Locks

Other Accessories

Stainless Steel

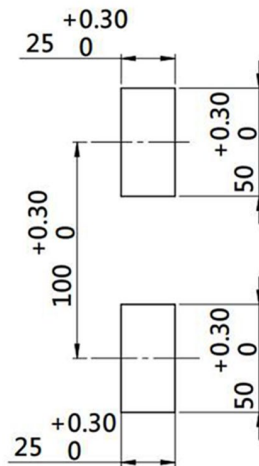
Available in Stainless Steel
304 / 316



3D Rendered View

MS 100-3S-2

- Material:Stainless steel body, nickel plating driving rod sand bright chrome plating rack
- Finish: drawing,
- Panel thickness:1~3mm



PANEL CUTOUT