

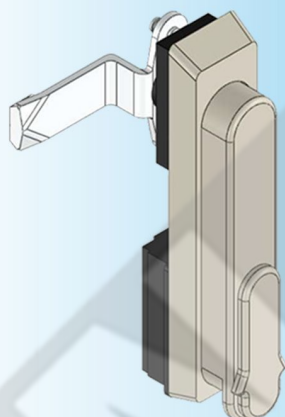
For Product Step File or 3D Model Send a Request Mail To info@nrack.com



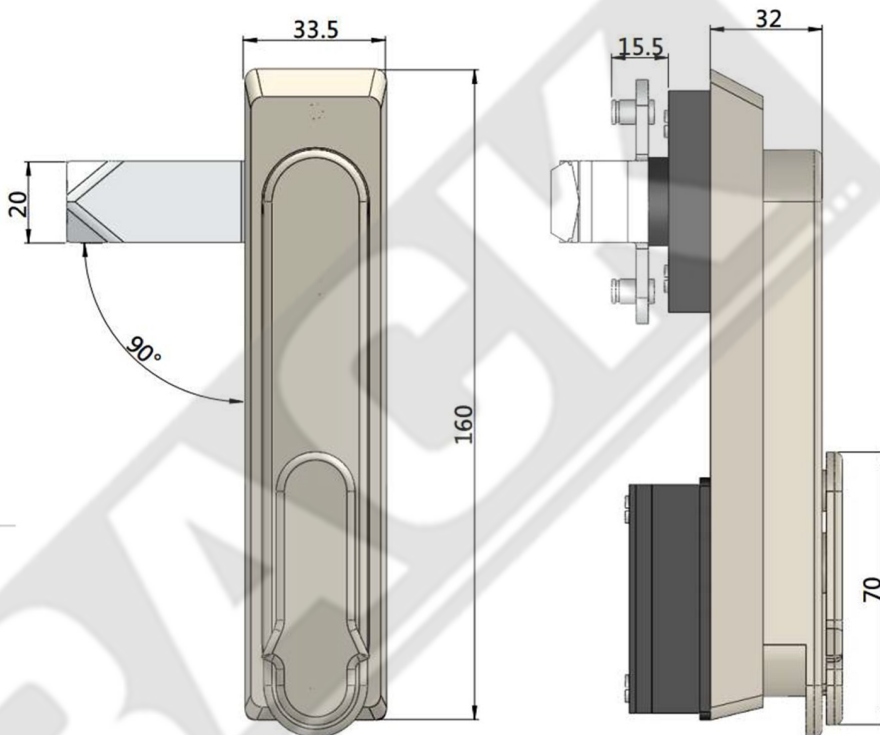
Photo View



3D Rendered View

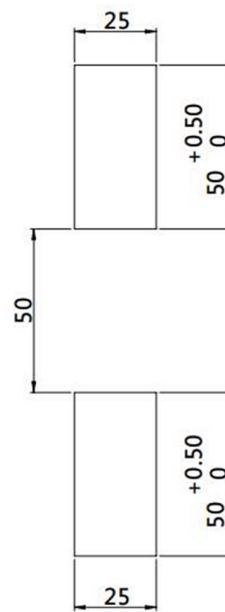


Available in Stainless Steel 304 / 316



MS 100-3S-1

- Material:Stainless steel body, nickel plating driving rod sand bright chrome plating rack
- Finish: drawing,
- Panel thickness:1~3mm



PANEL CUT OUT