

For Product Step File or 3D Model Send a Request Mail To info@nrack.com

Key Locks



Photo View



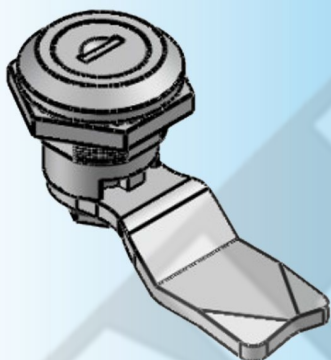
Panel Locks

Plane Locks

3Point Locks (Round & Flat)

Handle & Knobs

3D Rendered View



Hinges

Airvents

Gasketing

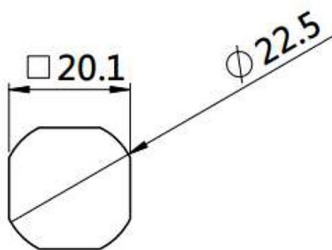
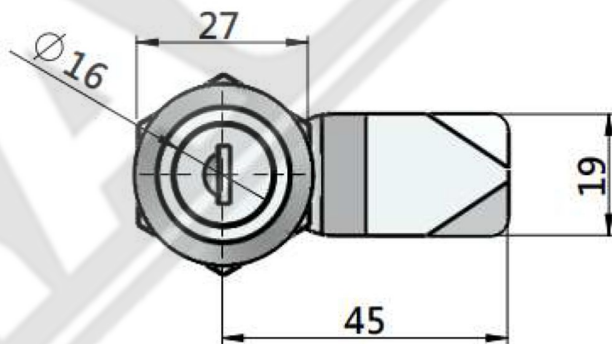
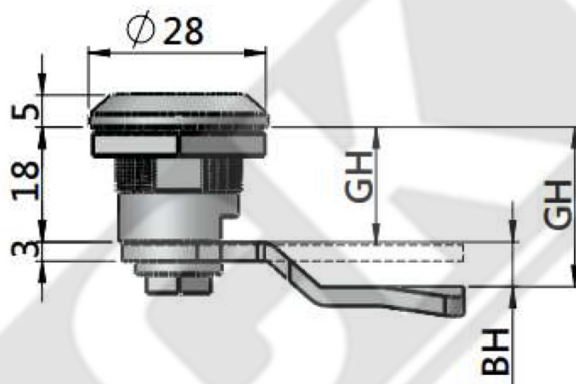
Canopy Locks

Other Accessories

**KL - 04 SS**

- Material : sus body ,cam
- Surface :natural color
- Door thickness :1~5mm
- Notes :cam size □8 × 8

**Stainless Steel Cam Lock Grade 304 - 316**



**CUT OUT**

GRIPPING HEIGHT (GH)	BENDING HEIGHT (BH)
20	2
25	7
30	12
35	17