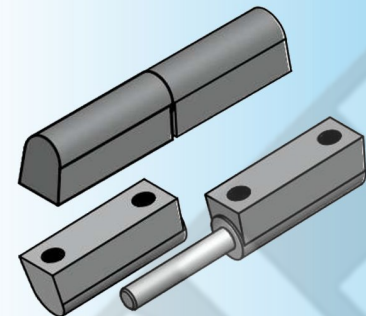




Photo View



3D Rendered View



## HL 170S - 3

- Material:Stainless steel hinge
- Finish: drawing
- Remark:180° hinge

For Product Step File or 3D Model Send a Request Mail To [info@nrack.com](mailto:info@nrack.com)

