

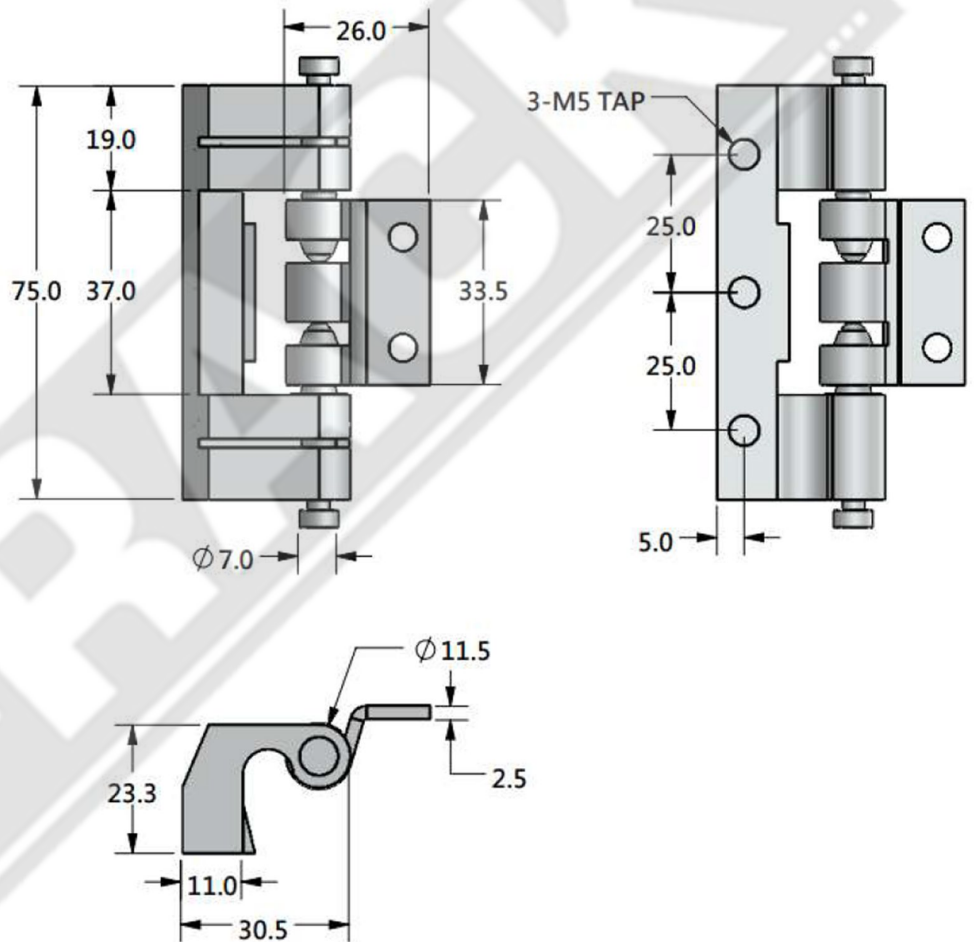
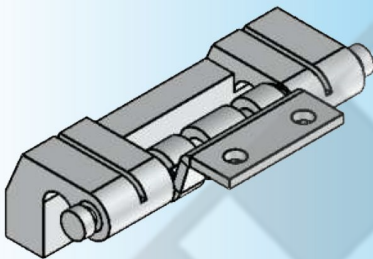
For Product Step File or 3D Model Send a Request Mail To info@nrack.com

INOX  
AISI  
3..

Photo View



3D Rendered View



**HL-011S-1**

- Material: Stainless Steel hinge, Stainless Pin
- Finish: Drawing
- Remarks: 180° Hinge