

For Product Step File or 3D Model Send a Request Mail To info@nrack.com

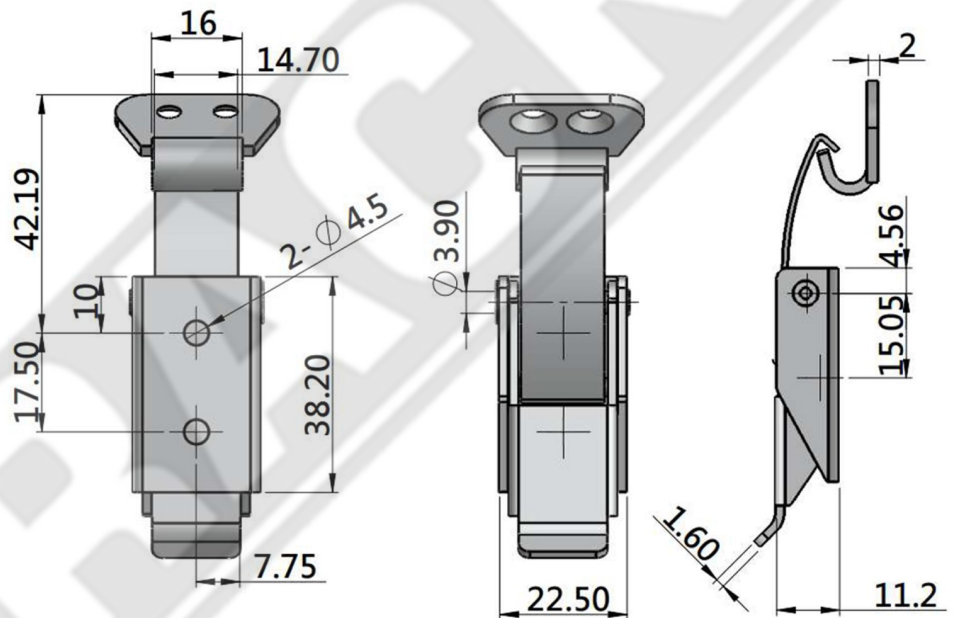
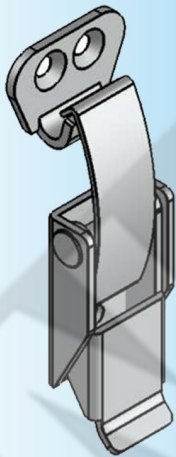
Photo View



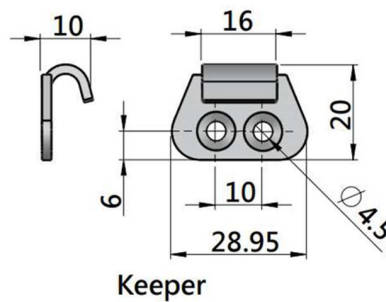
Available in Stainless Steel on Request

Snap Latch

3D Rendered View



KEEPER



OA - 40AB

- Material: CRCA
- Finish: Zinc Blue Plating & Available on Stainless Steel On Request