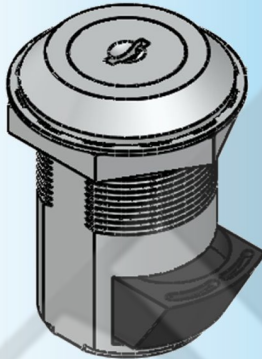


RL **IP54**

Photo View



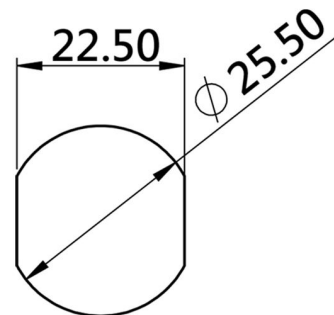
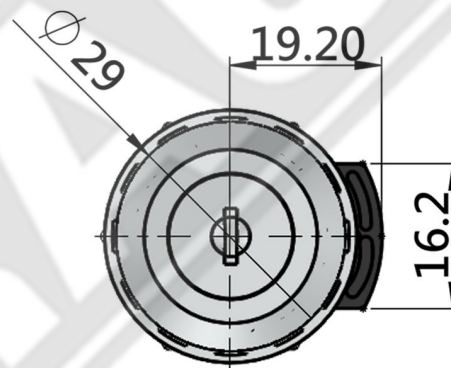
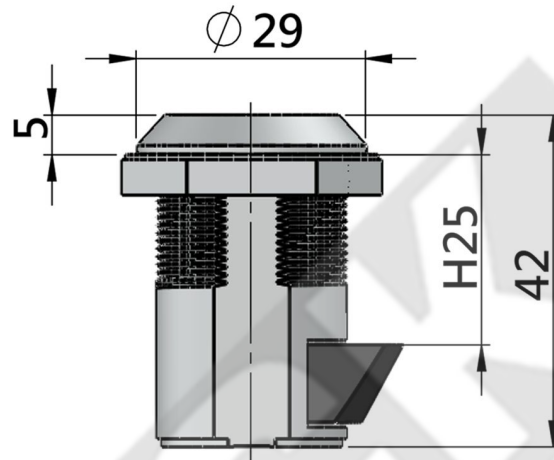
3D Rendered View



MS 818 - 1

- Material: Zinc alloy housing and Cylinder, plastic tone
- Finish: Bright chrome plating
- Panel thickness: 1~10mm

For Product Step File or 3D Model Send a Request Mail To info@nrack.com



CUT OUT

Product no.	Weight (g)	Lot
MS 818- 1	119	200