

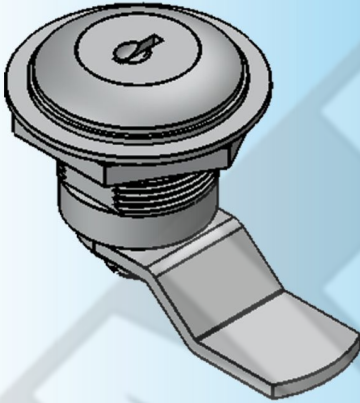
For Product Step File or 3D Model Send a Request Mail To info@nrack.com

RL **IP54**

Photo View

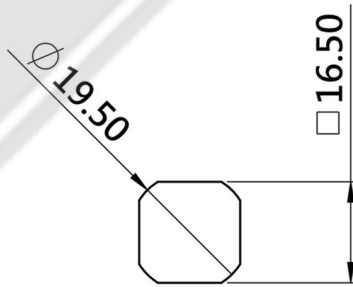
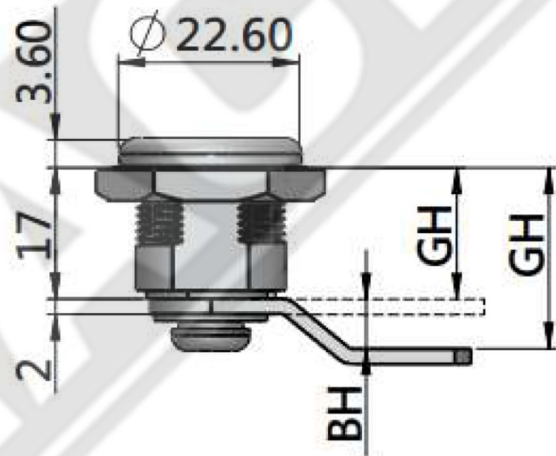
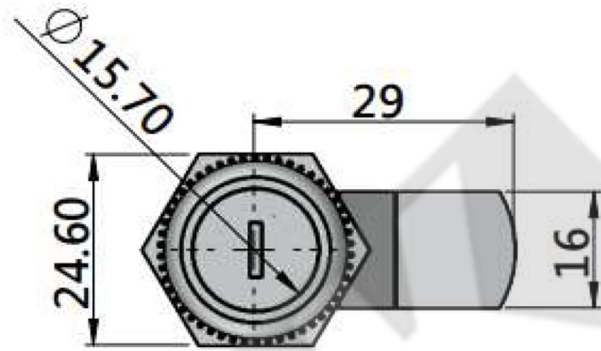


3D Rendered View



MS 415

- Material: Zinc die-casting body, Nut, Zinc plating cam
- Finish: Bright chrome plating
- Panel thickness: 1~6mm



CUT OUT

GRIPPING HEIGHT (GH)	BENDING HEIGHT (BH)
17	00
20	03
25	08
30	13

Key Locks

Panel Locks

Plane Locks

3Point Locks (Round & Flat)

Handle & Knobs

Hinges

Airvents

Gasketing

Canopy Locks

Other Accessories

Stainless Steel