

RL

Photo View

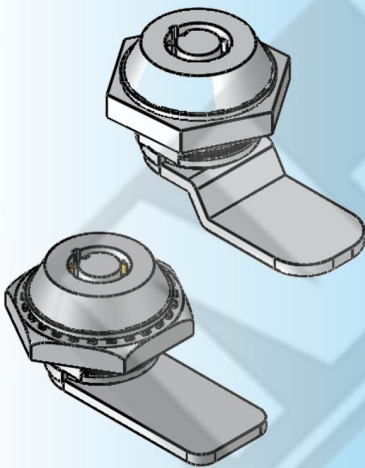


MS 409 - 1



MS 409 - 2

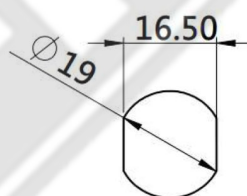
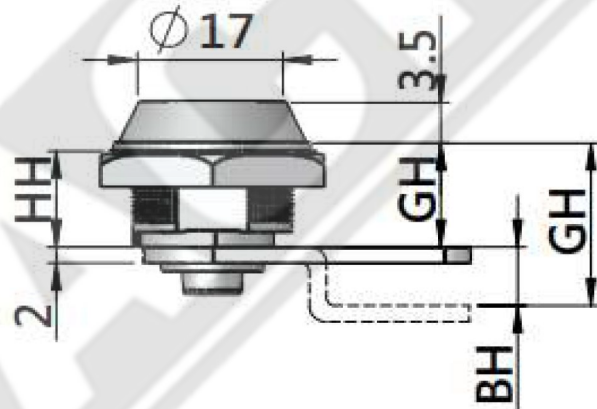
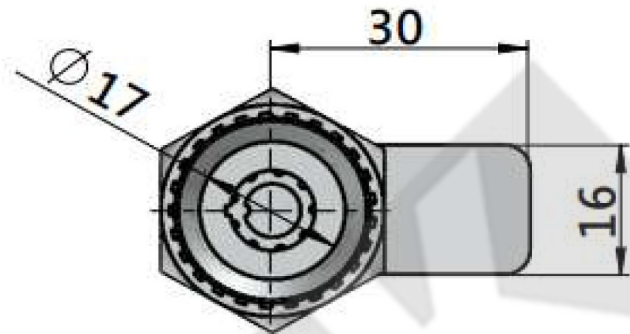
3D Rendered View



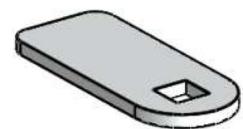
MS 409

- Material: Zinc die-casting or Plastic body is available, zinc plating steel nut and cam
- Finish: Bright chrome plating,
- Panel thickness: 1-6mm

For Product Step File or 3D Model Send a Request Mail To info@nrack.com



CUT OUT



AVAILABLE ON REQUEST

WEIGHT (g)	PRODUCT NUMBER	Lot
11.5	MS409-2	250
70	MS409-1	250

HOUSING HEIGHT (HH)	GRIPPING HEIGHT (GH)	BENDING HEIGHT (BH)
13	13	00
	28	15
23	23	00
	28	5