



Photo View

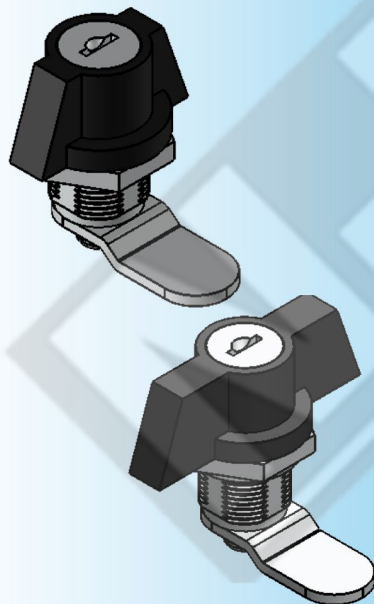
MS 408-3-1



MS 408-3-1T



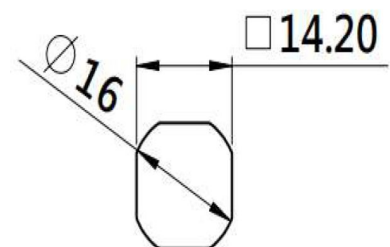
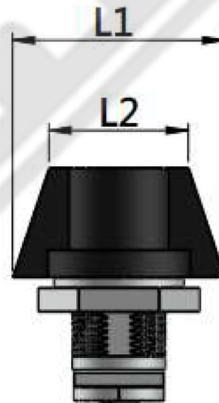
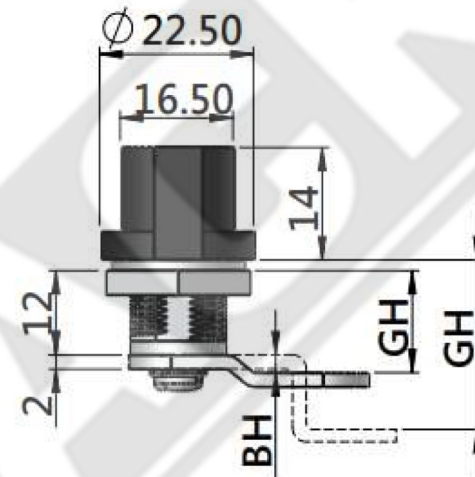
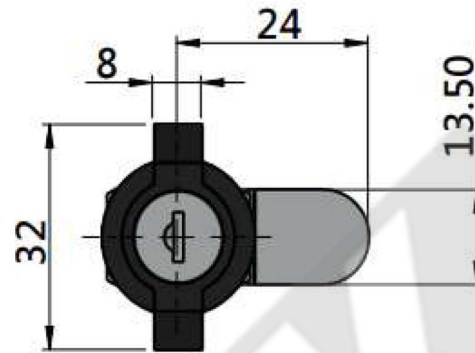
3D Rendered View



MS 408-3

- Material: Zinc Die Casting-Body, Blue Steel-Cam
- Finish: Black Powder Coated Knob, Chrome Plating Body

For Product Step File or 3D Model Send a Request Mail To info@nrack.com



CUT OUT

PART NO	L1	L2	GRIPPING HEIGHT (GH)	BENDING HEIGHT (BH)
MS 408-3-1	32	21	15	3
MS 408-3-1T	47	36	20	7