

For Product Step File or 3D Model Send a Request Mail To info@nrack.com

Key Locks



Photo View



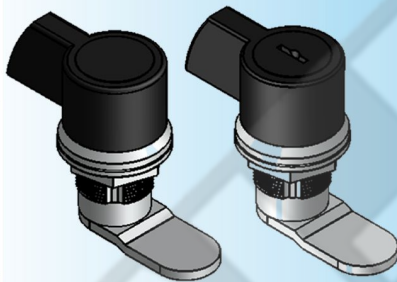
Panel Locks

Plane Locks

3Point Locks (Round & Flat)

Handle & Knobs

3D Rendered View



Hinges

Airvents

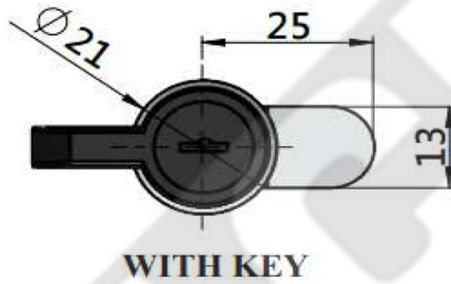
Gasketing

Canopy Locks

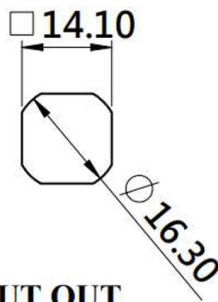
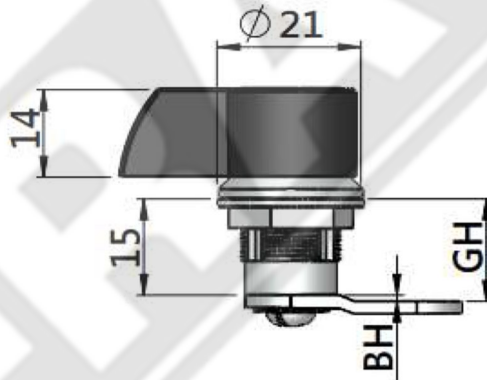
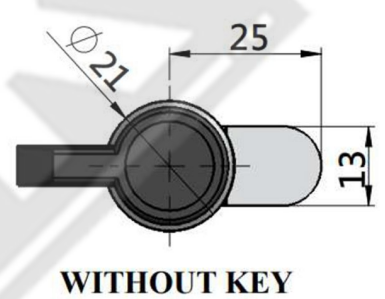
Other Accessories

Stainless Steel

**MS 408-2-2**



**MS 408-2-1**



GRIPPING HEIGHT (GH)	BENDING HEIGHT (BH)
18	3
25	10
30	15

**MS 408 - 2**

- Material: Zinc Die Casting-Body, Steel-Cam, Steel With Plastic
- Finish: Black Powder Coated Knob, Chrome Plating Body, Blue Steel Cam