



IP 65



Photo View

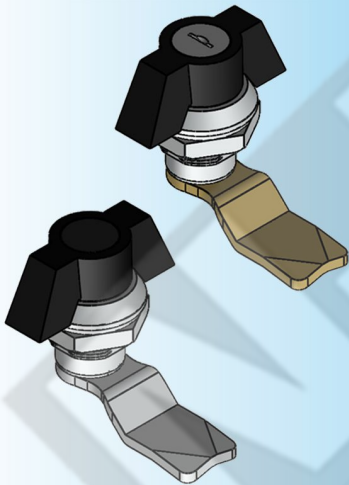


MS 408-1-1



MS 408-1-2
(Without Key)

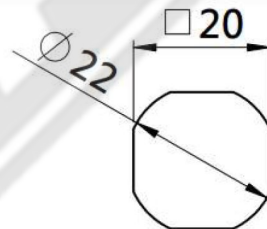
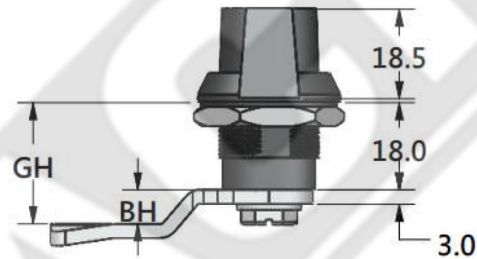
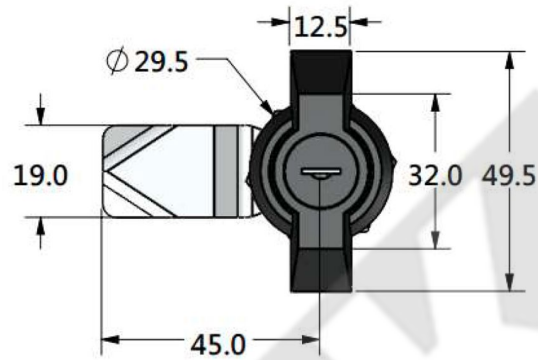
3D Rendered View



MS 408-1

- Material: Zinc Die Casting-Body, Steel-Cam, Steel With Plastic Moulded
- Finish: Black Powder Coated Knob, Chrome Plating Body, Blue Steel Cam

For Product Step File or 3D Model Send a Request Mail To info@nrack.com



CUT OUT

GRIPPING HEIGHT (GH)	BENDING HEIGHT (BH)
18	00
25	07
30	12