

For Product Step File or 3D Model Send a Request Mail To info@nrack.com



Photo View

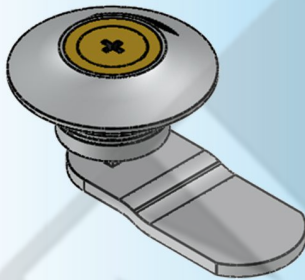
MS 401 - 1



MS 401 - 2

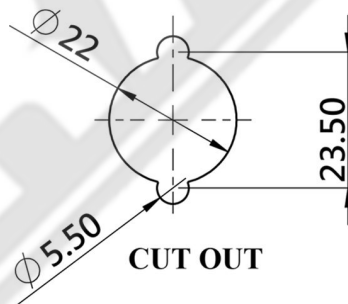
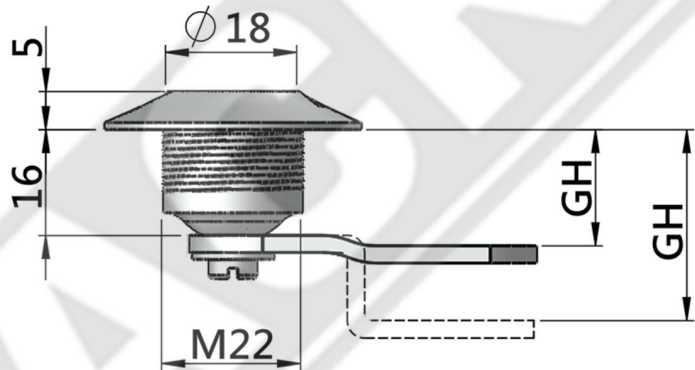
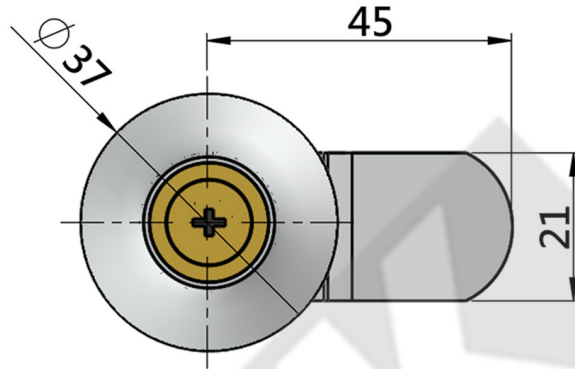


3D Rendered View



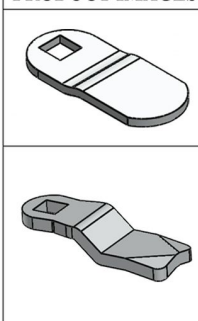
MS 401

- Material: Zinc die-casting or Plastic body is available, zinc plating steel nut and cam
- Finish: Bright chrome plating,
- Panel thickness: 1~6mm



GRIPPING HEIGHT
18
25
30

PRODUCT IMAGES



Available on Request

Dimensions		Insert	Product Number		
H1	H2		zinc die-casting body	Weight (g)	Lot
20	20	K0400	MS 401- 1	62.5	200
21	16	K8180	MS 401- 2	100	200