

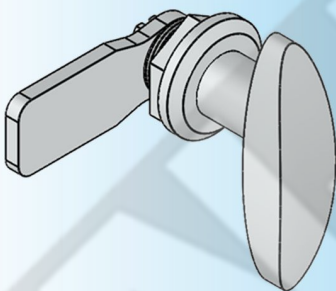
For Product Step File or 3D Model Send a Request Mail To info@nrack.com

R

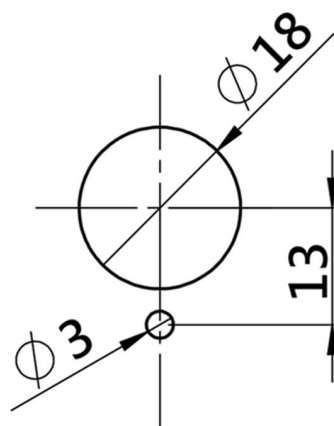
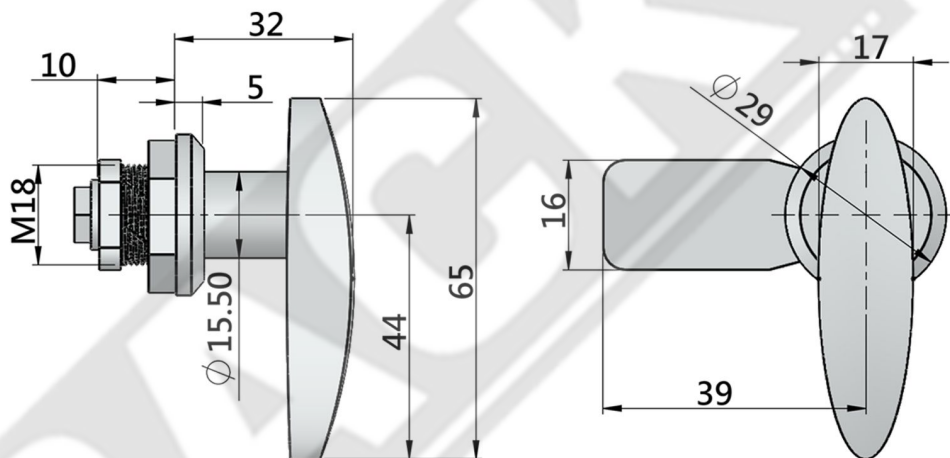
Photo View



3D Rendered View



MS 309 - 1



CUT OUT

- Material: Zinc die-casting body, nut, Zinc plating cam
- Finish : Bright chrome plating
- Panel thickness: 1~6mm
- Remark: cam cutout □8x8

Key Locks

Panel Locks

Plane Locks

3Point Locks
(Round & Flat)

Handle &
Knobs

Hinges

Airvents

Gasketing

Canopy Locks

Other
Accessories

Stainless Steel