



Photo View

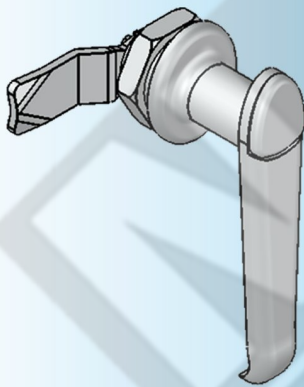


MS 308-1-1



MS 308-2-1

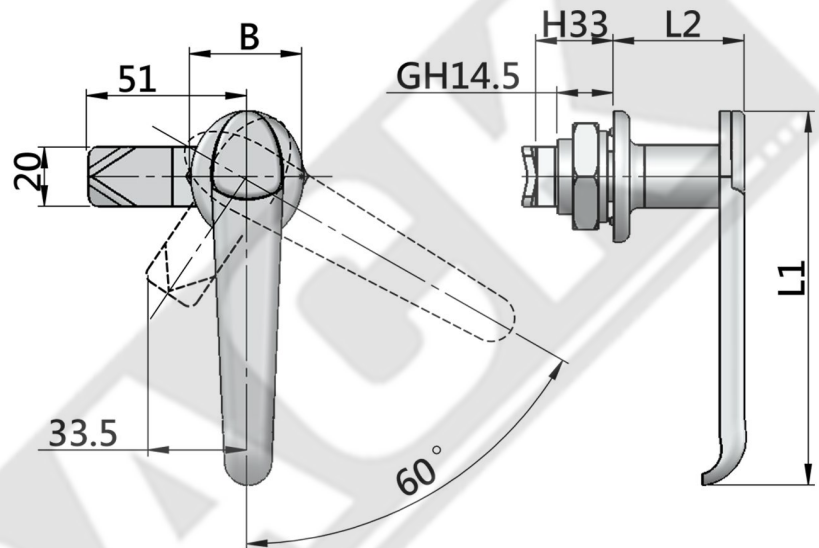
3D Rendered View



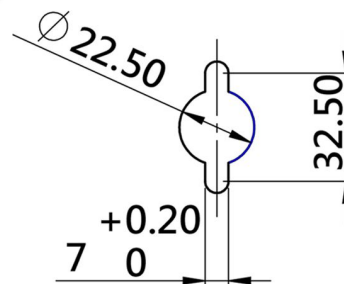
MS 308

- Material: Zinc die-casting body, nut, Zinc plating cam
- Finish : Bright chrome plating
- Panel thickness: 1~6mm

For Product Step File or 3D Model Send a Request Mail To info@nrack.com



CUT OUT



Product Number	Rotation angle	L1	L2	B	Weight (g)	Lot
MS 308-1-1	60°	120	42	36	252.5	100
MS 308-1-1L	(cw)90°	120	42	36	245.5	100
MS 308-1-1R	(ACW)90°	120	42	36	245.5	100