

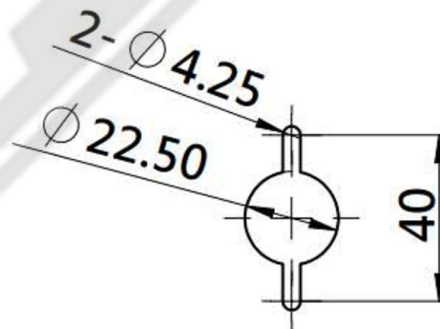
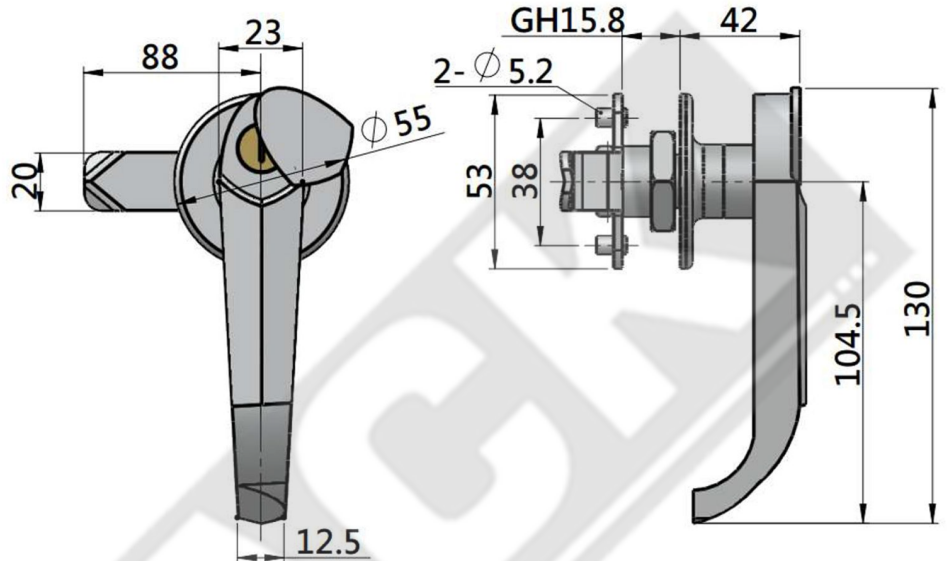
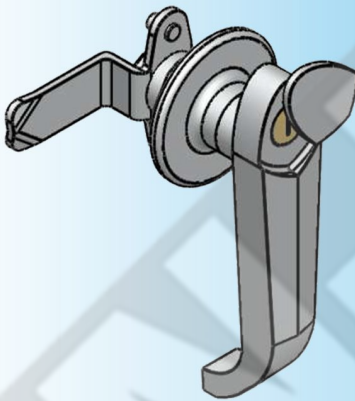


For Product Step File or 3D Model Send a Request Mail To info@nrack.com

Photo View



3D Rendered View



CUT OUT

## MS 306-2-1

- Material: Zinc die-casting body, nut, Zinc plating cam
- Finish : Bright chrome plating
- Panel thickness: 1~10mm

Product no.	Weight (g)	Lot
MS 306- 2- 1(60° )	250.5	50
MS 306- 2- 1L(CW90°)	250.5	50
MS 306- 2- 1R(CC W90°)	250.5	50