

R

Photo View

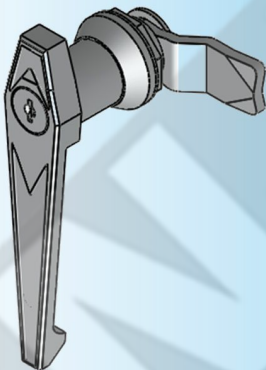


MS 301-1-1



MS 301-1-2

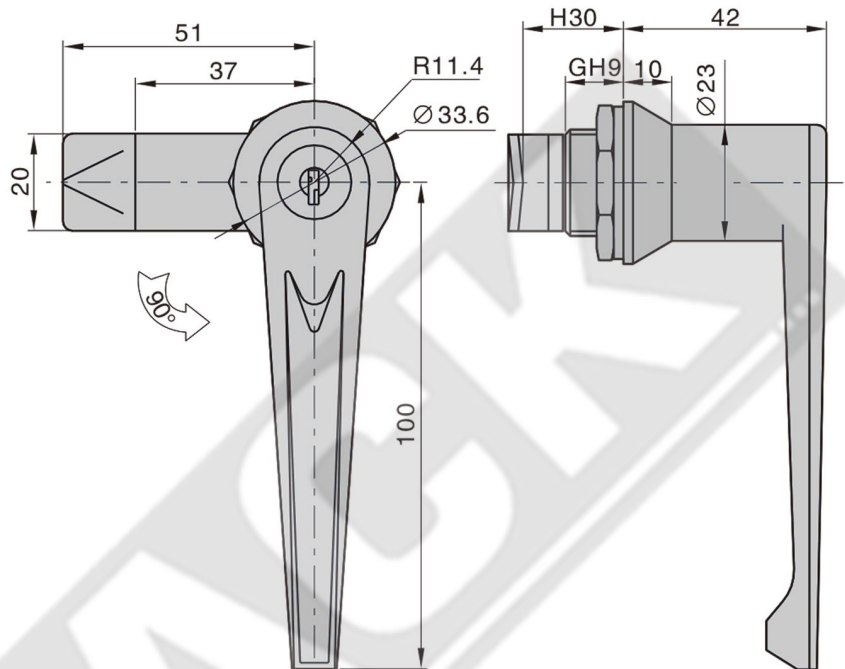
3D Rendered View



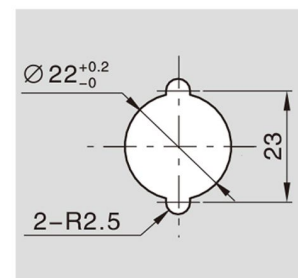
MS 301 - 1

- Material: Zinc die-casting body
M.S. Zinc plating cam
- Finish : Bright chrome plating
- Panel thickness: 1~3mm

For Product Step File or 3D Model Send a Request Mail To info@nrack.com



■ Cut out



Product Number			
Bright chrome plating		Weight(g)	Lot
MS301-1-1.1	with key	194.5	100
MS301-1-2.1	Push button	192	100