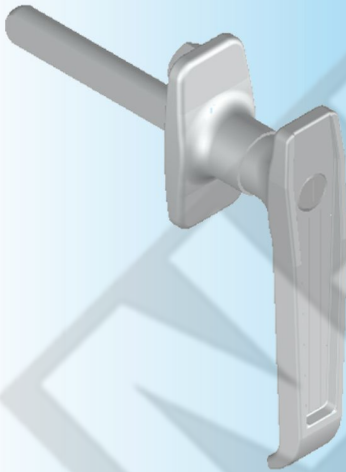


RL

Photo View



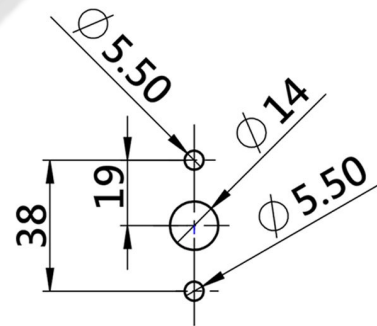
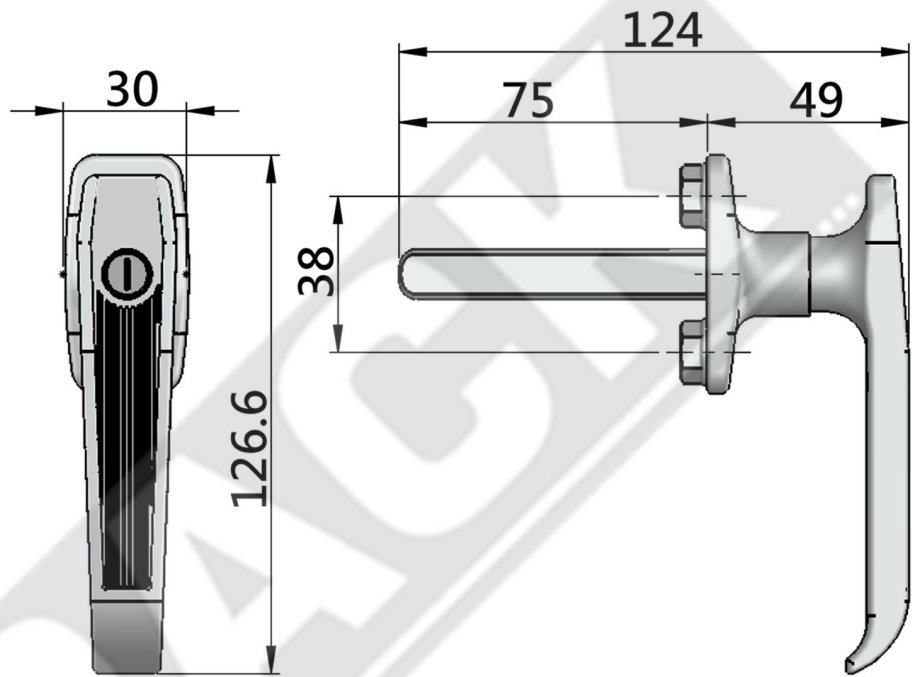
3D Rendered View



MS 109-1-1

- Material: Zinc die-casting body, Zinc plating cam
- Finish :Bright chrome plating
- Panel thickness: 1~20mm
- Remark: cam cutout □8x8

For Product Step File or 3D Model Send a Request Mail To info@nrack.com



CUT OUT

Product no.	Weight (g)	Lot
MS109-1-1	132.5	100