

For Product Step File or 3D Model Send a Request Mail To info@nrack.com

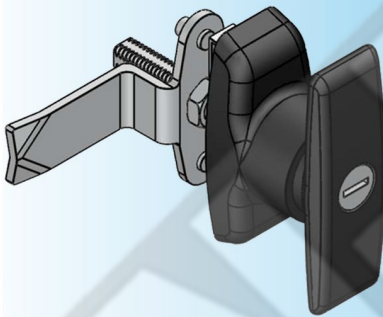
Key Locks



Photo View



3D Rendered View



**MS 108-1-1**

- Material: PAbody, zinc plating steel cam
- Finish :Matt black
- Panel thickness:1~5mm

Panel Locks

Plane Locks

3Point Locks (Round & Flat)

Handle & Knobs

Hinges

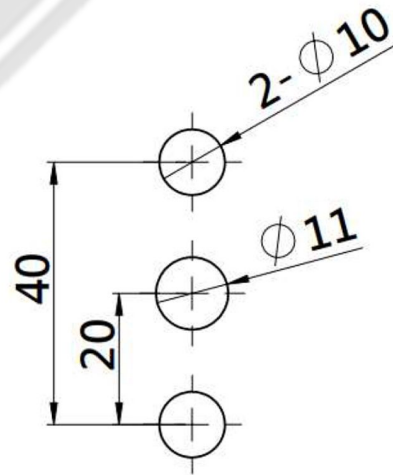
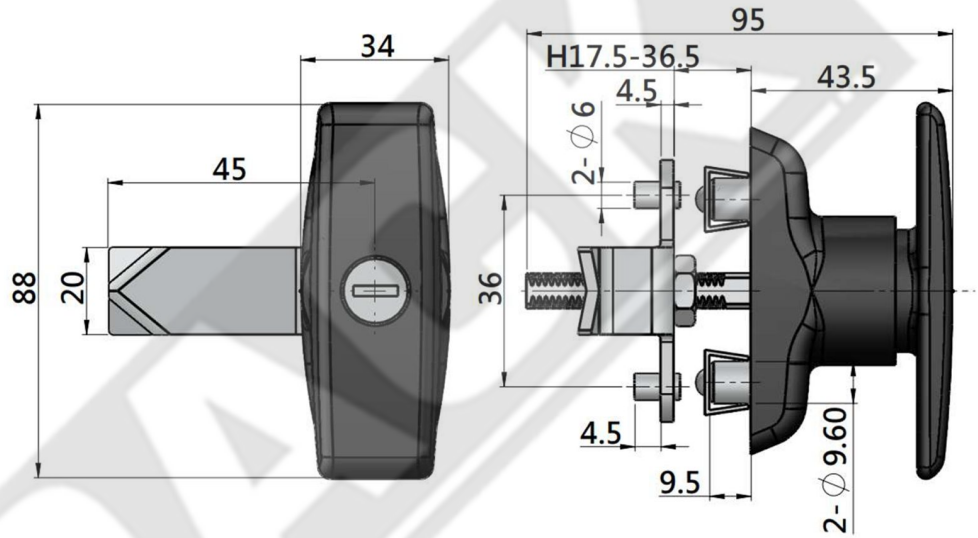
Airvents

Gasketing

Canopy Locks

Other Accessories

Stainless Steel



**CUT OUT**