

For Product Step File or 3D Model Send a Request Mail To info@nrack.com



IP 65

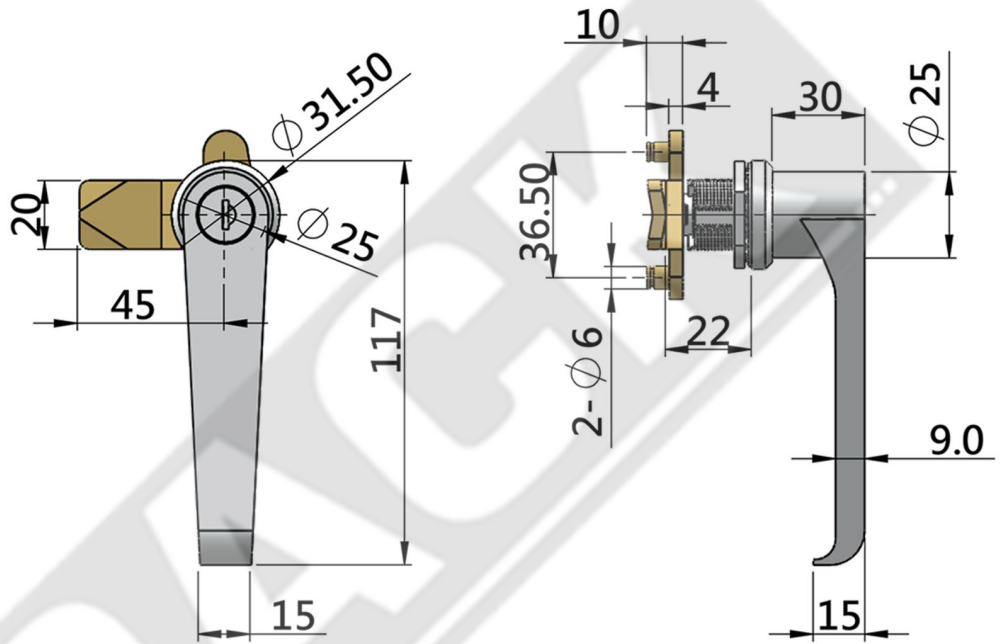
Photo View



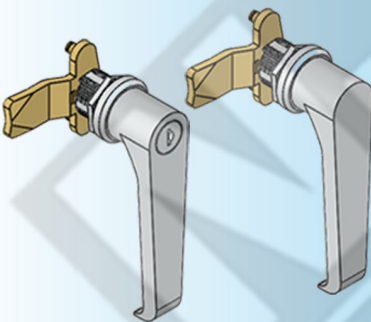
KL - 08



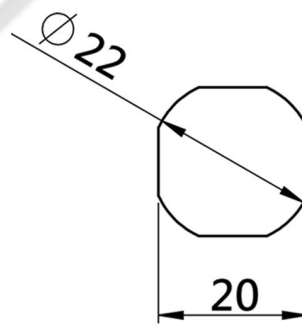
KL - 08 - 1



3D Rendered View



KL - 08



CUT OUT

- Material: KL-08-Zinc Die Casting-Body, Steel Cam, Steel with plastic moulded-key
- Finish: Black powder Coating/ Chrome Plating

Key Locks

Panel Locks

Plane Locks

3Point Locks (Round & Flat)

Handle & Knobs

Hinges

Airvents

Gasketing

Canopy Locks

Other Accessories

Stainless Steel