

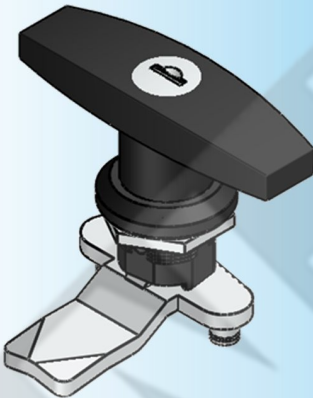
For Product Step File or 3D Model Send a Request Mail To info@nrack.com



Photo View

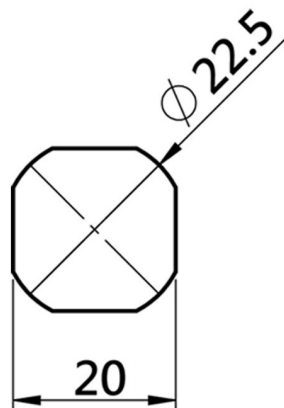
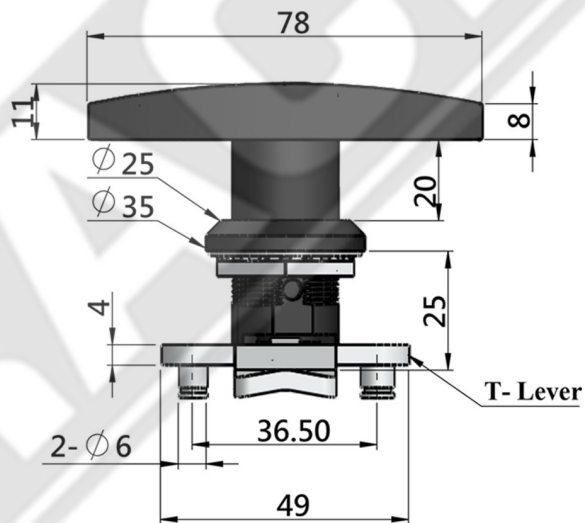
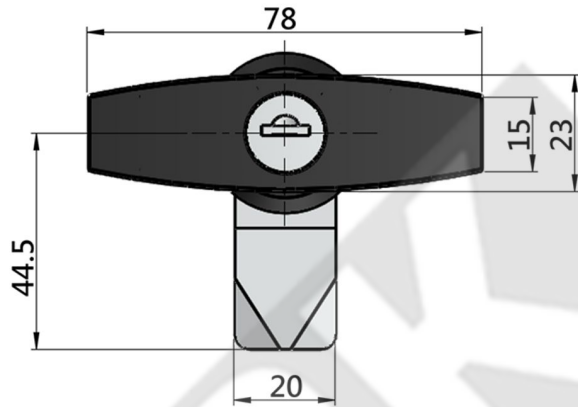


3D Rendered View



**KL - 07**

- Material: Zinc Die Casting-Body, Steel Cam, Steel Key
- Finish: Black powder Coating/ Chrome Plating



CUT OUT