

For Product Step File or 3D Model Send a Request Mail To info@nrack.com

Key Locks

Photo View



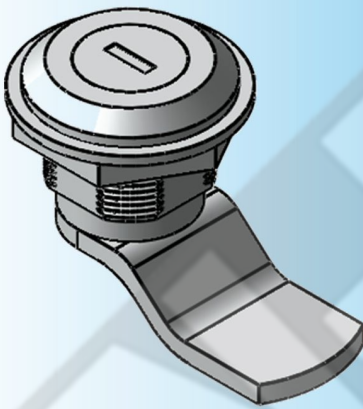
Panel Locks

Plane Locks

3Point Locks
(Round & Flat)

Handle &
Knobs

3D Rendered View



Hinges

Airvents

Gasketing

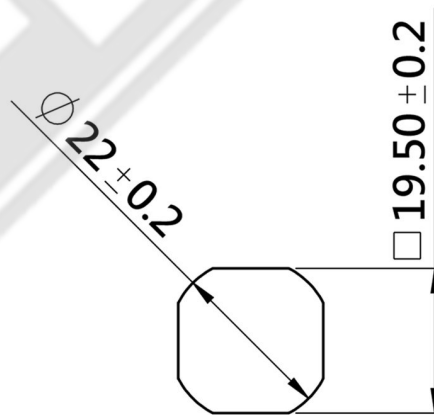
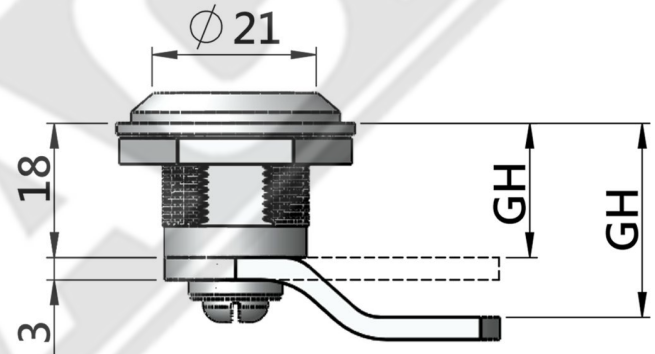
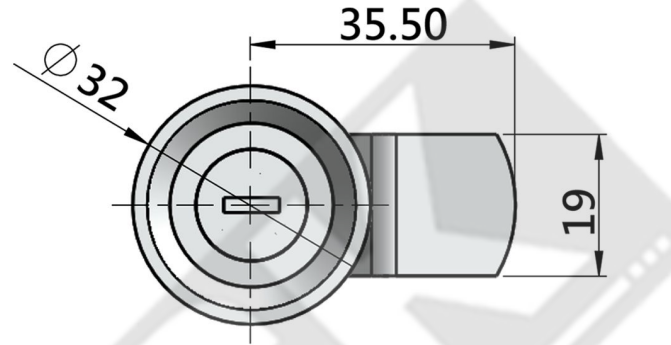
Canopy Locks

KL - 04B

Other
Accessories

Stainless Steel

- Material: Zinc Die Casting-Body, Steel-Cam, Steel Key
- Finish: Chrome Plating



CUT OUT

GRIPPING HEIGHT (GH)	BENDING HEIGHT (BH)
18	00
20	02
25	07
30	12