

For Product Step File or 3D Model Send a Request Mail To info@nrack.com

Key Locks

Panel Locks

Plane Locks

3Point Locks (Round & Flat)

Handle & Knobs

Hinges

Airvents

Gasketing

Canopy Locks

Other Accessories

Stainless Steel

Photo View

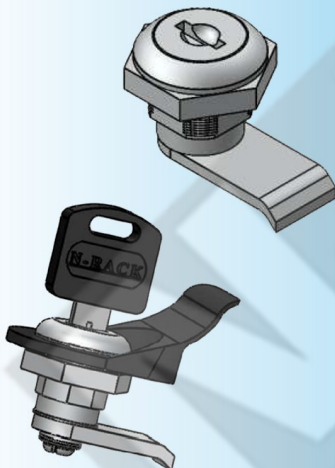


KL - 01



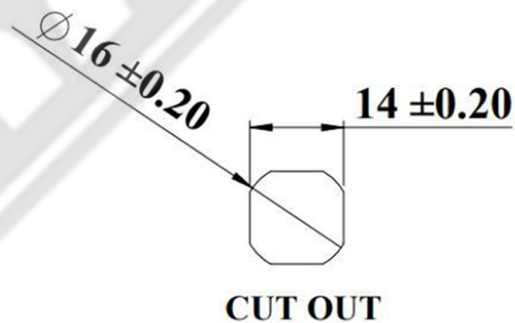
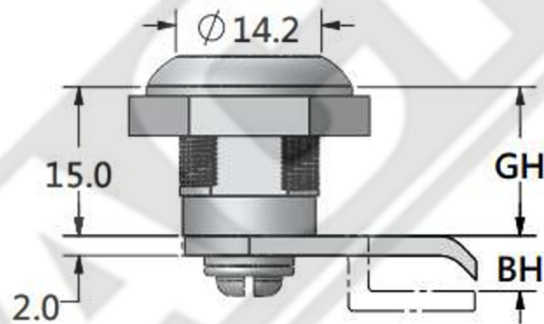
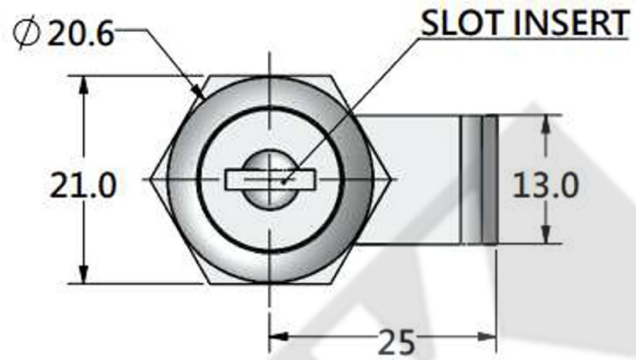
KL - 01 A

3D Rendered View



KL - 01

- Material: Zinc Die Casting-Body, Steel-Cam, Steel With Plastic Moulded
- Finish: Chrome Plating



FINGER FULL CAP (OPTIONS)

PRODUCT IMAGES	PRODUCT NAME
<p>OPTION-1</p>	METAL FINGER FULL CAP
<p>OPTION-2</p>	POLYIMIDE FINGER FULL CAP

GRIPPING HEIGHT (GH)	BENDING HEIGHT (BH)
15	00
20	05
25	10