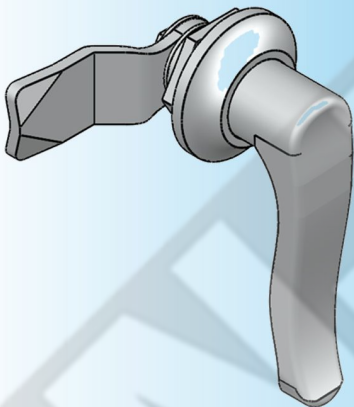


R

Photo View



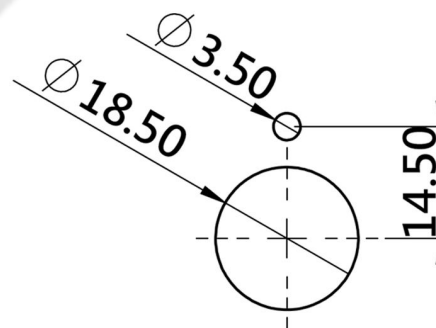
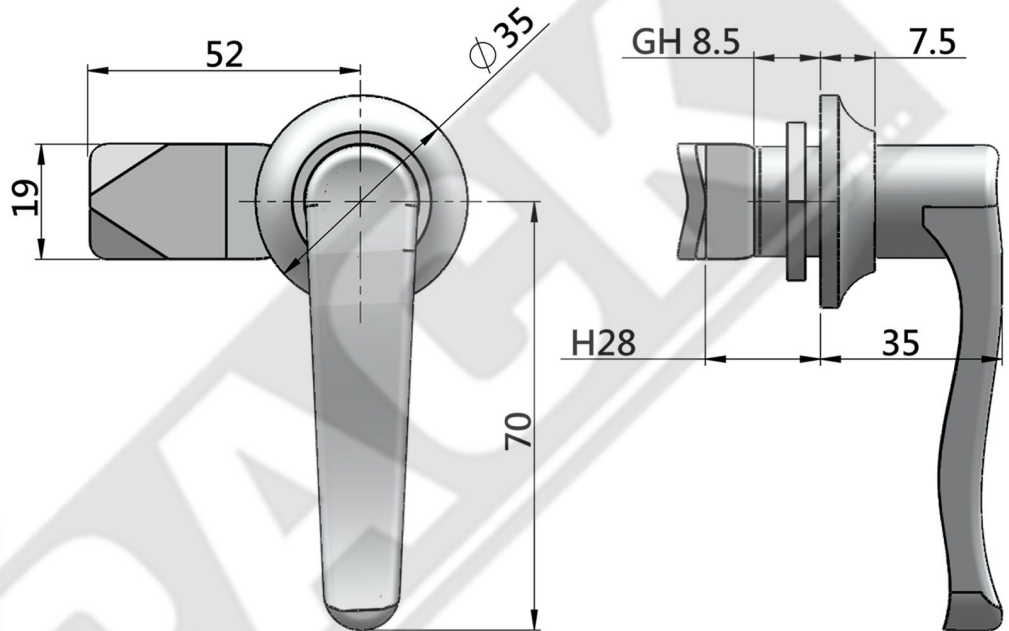
3D Rendered View



AB 803

- Material: Zinc die-casting body, Zinc plating cam
- Finish : Bright chrome plating
- Panel thickness: 1~2mm
- Remark: cam emark: turn 90° , cam cutout 8x8

For Product Step File or 3D Model Send a Request Mail To info@nrack.com



CUT OUT