

For Product Step File or 3D Model Send a Request Mail To info@nrack.com



Photo View



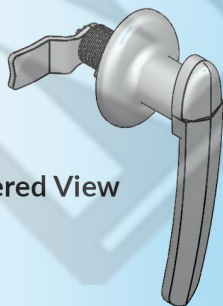
AB701 - 1 - 1 AB701 - 1 - 2



AB701 - 1 - 2 AB701 - 1 - 2



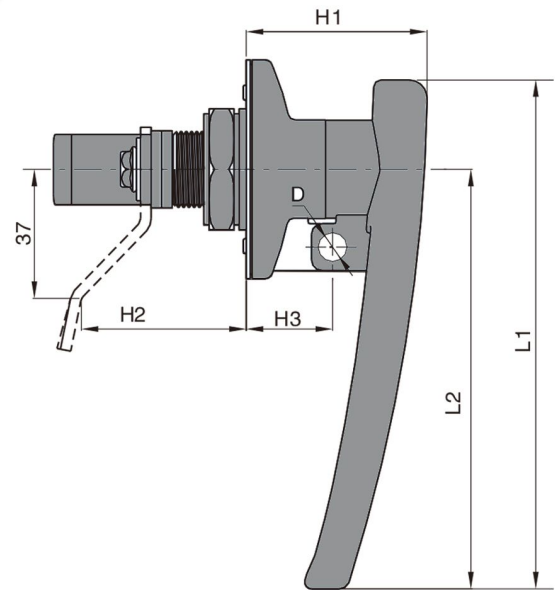
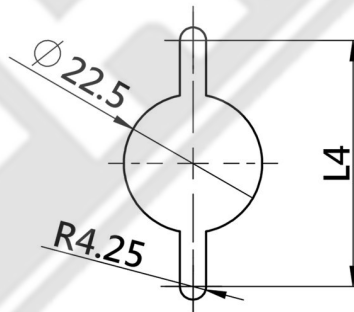
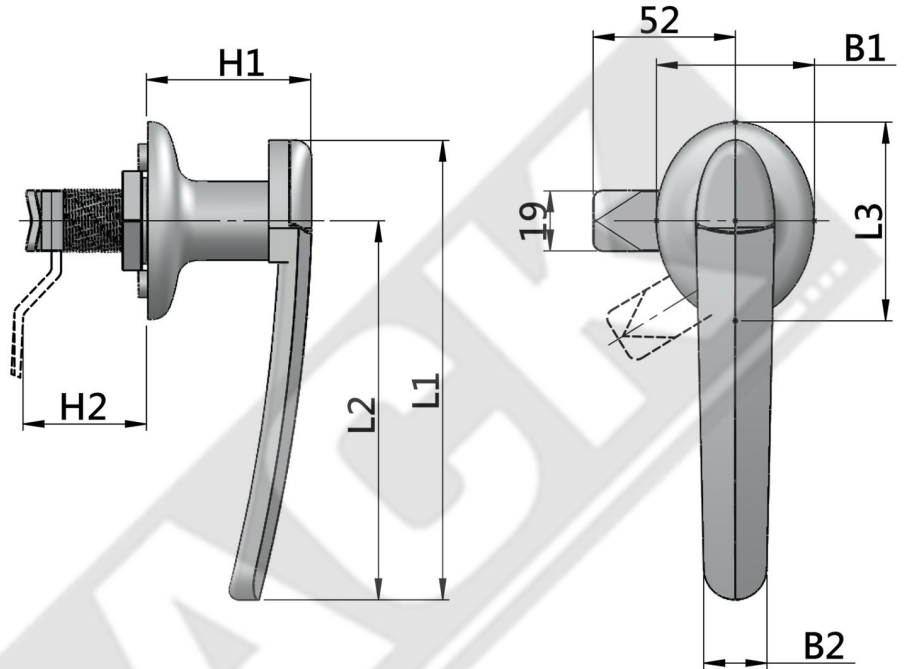
AB701 - 1 - 2 AB701 - 1 - 2



3D Rendered View

AB701-1

- Material: Zinc die-casting body, nut Zinc plating cam
- Finish :Bright chrome plating
- Panel thickness: 1~7mm
- Remark:pCam cutout:
 10 × 10(AB701-1-1/2)
 8 × 8(AB701-2-1/2)
 (B701-3-1/2)



Dimensions											Product Number								
L1	L2	L3	L4	B1	B2	H1	H2	H3	R	D	With key	Weight (g)	Lot	w/o key	Weight (g)	Lot	Padlockable w/o key	Weight (g)	Lot
145.5	120	62.5	40	50	20	52	43.5	25	4.25	8	AB701-1-1	439	50	AB701-1-2	472	50	AB701-1-2G	422.5	50
118	95	49.5	32	40	16	46	36	22	3.6	8	AB701-2-1	256	50	AB701-2-2	273	100	AB701-2-2G	279	100
103.5	85	46.5	32	38	14	42	36	17	3.6	7	AB701-3-1	225	100	AB701-3-2	231	100	AB701-3-2G	236.5	100