

For Product Step File or 3D Model Send a Request Mail To info@nrack.com



Photo View

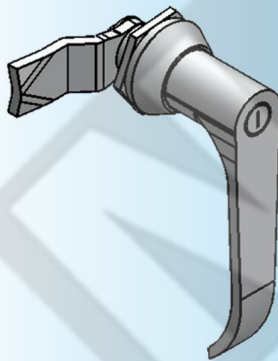


AB301-1-1



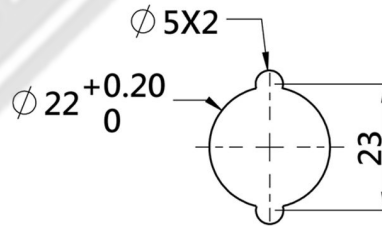
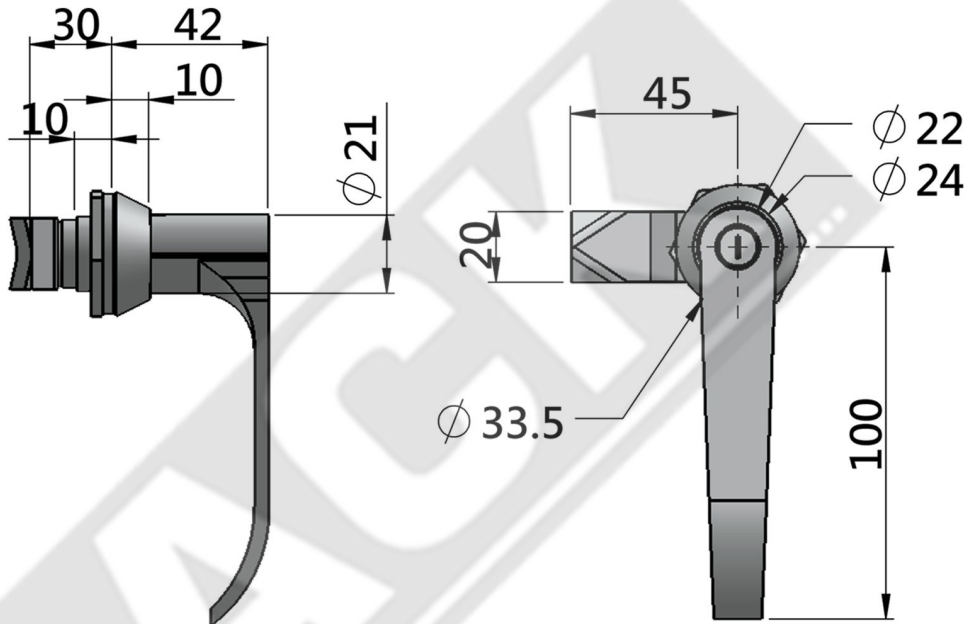
AB301-1-2

3D Rendered View



AB 301 - 1

- Material: Zinc die-casting body, nut, Zinc plating cam
- Finish :Bright chrome plating
- Panel thickness: 1~3mm



Cut Out

Product Number		Weight (g)	Lot
MS 301- 2- 1.1	with key	157	100
MS 301- 2- 2.1	Push button	158	100